

LUCAS
GIRLING

**EQUIPMENT AND
SERVICE PARTS**

CCE902/69

**STANDARD -
TRIUMPH
1969**



*This publication supersedes NVS 2426, 2438, 2461, 2467, 2469, 2472
and 2490, which should be destroyed*

INDEX

LUCAS GIRLING

Equipment and
Service Part Details
for

STANDARD-TRIUMPH
CARS

Accessories	29-31
Alternators	14
Ammeters	15
Automatic transmission (Borg Warner)	15
Batteries	4-10
Bulbs	26
Cable sundries	18
Coils, ignition	18
Control boxes	15
Control unit	14
Distributors	17-18
Equipment specifications—Lucas	4-10
Equipment specifications—Girling	11-12
Flasher units	15
Fuse boxes	15
Generators	14
Horns	13
Lamps:	
Flasher	21
Head	19-20
Marker, rear side	24
Number plate	25
Number plate and boot illumination	25
Number plate and reversing	25
Reversing	25
Side	21
Side and flasher	22-23
Side and repeater flasher	21
Side marker and reflex	25
Stop tail and flasher	23
Stop tail, flasher and reflex	23
Stop tail and reflex	23
Stop tail, flasher, reflex and reversing	24
Stop tail, flasher, reflex, reversing and side marker	24
Stop tail, number plate and reflex	24
Overdrive equipment (Laycock de Normanville)	15
Panel and warning light bulb holders	26
Petrol injection equipment	16
Plug and socket	26
Reflex reflectors	26
Relay, day and night flasher	15
Screenjets	26
Starting motors	13
Steering column controls	13
Switches	28
Switch knobs	28
Warning lights	26
Warning light cluster	26
Windshield wiper equipment	27



EQUIPMENT SPECIFICATIONS

TRIUMPH 'Herald' 1200 (Home) Saloon, Coupé, Convertible and Estate Car
'Herald' 1200E (Export) Saloon, Coupé, Convertible and Estate Car
'Herald' 13/60 Saloon, Convertible and Estate Car

Unit	Model	Part No.	Unit	Model	Part No.
Battery (Home)	D9	54028971	Switches—continued		
" (Export, dry charged)	DZ9	54028973	Heater	10BSA	★34889A
" (Canada)	CAZ9/7	54027665	" (Sweden)	10BSA	★39241A
Bulb holder, panel light	—	554734	Horn isolating (France)	65SA	*★34555D (31828)
" " temperature gauge	—	54944812	Ignition and starting	47SA	*★31873J (34680)
Bulb	—	1987	Lighting and headlamp flashing		
Coil, ignition (1200 and 13/60)	LA12	*★45207A (45213)	1200 (R.H.D.)	71SA	★35775A
Control box	RB106-2	37290F	" (L.H.D.)	71SA	★35776A
Distributor			" (N. America)	71SA	★35777A
1200 (high compression)	25D4	41230A	" (Sweden)	71SA	★35902A
" (low compression)	25D4	41231A	13/60 (R.H.D.)	102SA	★35778B
13/60	25D4	41272A	" (L.H.D.)	102SA	★35779B
Flasher unit	FL5	*★35020A	" (Sweden)	102SA	★35859A
Fuse box	4FJ	*54038033 (54038068)	Lighting, master and panel (1200)	PPGI	★31952D
Generator (1200)	C40-1	22700L	" " " " (13/60)	58SA	★34477A
" (13/60)	C40-1	*22715E (22700)	Knob " " " "	—	‡54334502
Horn			Panel (N. America)	PS7	*★31419A (54033230)
High note	9H	‡54068086	Knob	—	‡54334481
Low note	9H	‡54068087	Solenoid, starting motor	4ST	★76766B
LAMPS			Windshield wiper	PS7	*★31419A (54033230)
Flasher (Germany)	659	52807A	Knob	—	‡54334501
Head, Home and Export (R.H.D.), dip			Knob, heater	—	54334503
left	F700	58811D	" air distribution	—	54335558
Head, Export Europe (except coun-			" wiper/washer (13/60)	—	54326673
tries stated)	F700	58814E/F	" (13/60 and 1200)	—	54329096
Head, Export France	F700	58815E/F	Warning lights		
Head, Export N. America	F700	59191B	Flasher (shade and window)	WL13	*54360552 (319217 & 305569)
Fitted to all above headlamps:			Bulb holder		
Rim (1200)	—	54522270	Flasher, ignition and oil pressure	—	863511
" (13/60, left hand)	—	54524064	Main beam	—	554734
" (13/60, right hand)	—	54524065	Bulbs	—	‡987
Body gasket	—	54520150	Windshield wipers		
Adaptor plate	—	54520271	Motor	DR3A	75446A/D
Number plate illumination	467-2	53093K	" (Sweden)	DR3A	*75714A (75544)
Export N. America	467-2	53836F	Wheelbox	—	72722A
Estate Car and 13/60	643	53786B	Rack	—	743221
" (N. America)	550	53945A	Outer casing		
Side (Germany)	658	52806A	Motor to wheelbox	—	54710692
Side and flasher (amber flasher)	584	52690A	Wheelbox to wheelbox	—	54710693
" (clear flasher)	659	52493B	Short, wheelbox	—	*740746 (54702605)
Stop tail and flasher (amber flasher)	759	54289B	Grommet	—	740811
" (red flasher)	759	54269B	Arm, R.H.D.	—	54711525
Reflex reflector	RER24	57111A	" L.H.D.	—	54711526
" (Switzerland)	RER14	*57079B (575189)	" (U.S.A.)	—	54711527
Starting motor	M35G-1	25079H/J	Blade	—	54711282
Steering column control	CC9	‡33577B	" (U.S.A.)	—	54703075
Brush	—	‡54301407	Brake, Clutch and Shock Absorber Equipment		
Steering column control (N. America)	CC9	‡33668A	(Served by Girling — see page 11)		
Brush	—	‡54300325			
SWITCHES					
Direction indicator	125SA	35774A			

TRIUMPH 1300 Saloon
1300TC Saloon

Ammeter	CZU34	36373B	Horn		
Battery (Home)	D9	‡54028971	High note	9H	54068142
" (Export, dry charged)	DZ9	‡54028973	Low note	9H	54068141
Bulb holder, panel light	—	554734	Export Sweden	9H	54068177
" " boot light	—	54944812	LAMPS		
Bulb	—	863511	Head, Home and Export (R.H.D.), dip		
Coil, ignition	LA12	*★45207A (45213)	left	F700	58811D
Control box	RB340	37344H	Head, Export Europe (except coun-		
Distributor (1300)	25D4	41127A	tries stated)	F700	58814E/F
" (1300TC)	25D4	41213A	Head, Export France	F700	58815E/F
Flasher unit	FL5	*★35027A	Head, Export N. America	F700	59191B
Fuse box	4FJ	*54038033 (54038068)	Fitted to all above headlamps:		
Generator	C40-1	*22715F (22700)	Rim	—	554439
			Body gasket	—	54520505

* When ordering, quote part number show in brackets
‡ Suitable Lucas replacement

‡ Order separately § Served by Vehicle Manufacturer
★ Service complete unit only



EQUIPMENT SPECIFICATIONS

TRIUMPH 1300 Saloon
1300TC Saloon—continued

Unit	Model	Part No.	Unit	Model	Part No.
Lamps—continued			Switches—continued		
Number plate illumination (2 off) ...	550	54364B	Interior light ...	65SA	★35562A
Side and flasher			Lighting and headlamp flasher		
Left hand (amber flasher) ...	776	52779F	R.H.D. ...	102SA	★35553E/J
Right hand (amber flasher) ...	776	52762F	L.H.D. ...	102SA	★35554E/J
Left hand (clear flasher) ...	776	52780A/F	Export Sweden ...	102SA	★35867A
Right hand (clear flasher) ...	776	52763A/F	Master lighting ...	108SA	★35559A
Stop tail, flasher and reflex			" " (Sweden) ...	57SA	★35672A
Amber flasher ...	775	54336D/E	Panel light ...	5R	★78449A
Red flasher ...	775	54337D	Knob ...	—	‡54323364
Relay (two-level signalling) ...	11RA	33248B	Reversing lamp (gearbox, optional) ...	SS10	*★31849A (34460)
Starting motor ...	M35G	25112B	Solenoid, starting motor ...	4ST	★76766A
Steering column control ...	CC2	‡§33641E/F	Windshield wiper ...	108SA	★35561A
Brush ...	—	‡§54301407	" " (Sweden) ...	57SA	‡§39200A
Steering column control (N. America) ...	CC9	‡§33668A	Knob, heater ...	—	54334503
Brush ...	—	‡54300325	Warning light cluster ...	6WL	38724B
SWITCHES			Brake, Clutch and Shock Absorber Equipment		
Direction indicator ...	125SA	35556A	(Serviced by Girling — see page 11)		
Handbrake ...	139SA	★35624A/B			
Heater blower ...	57SA	★35560A			
Ignition and starting ...	47SA	*★31873J (34680)			

TRIUMPH 'Vitesse' 2 litre Saloon and Convertible Mk. II

Battery (Home) ...	D9	‡54028971	Lamps—continued		
" (Export, dry charged) ...	DZ9	‡54028973	Side (Germany) ...	658	52806A
" (Canada) ...	CAZ9/7	54027665	Side and flasher (amber flasher) ...	584	52690A
Bulb holder, panel light and speedometer ...	—	554734	" " (clear flasher) ...	659	52493B
Bulb holder, panel light ...	—	54944812	Stop tail and flasher (amber flasher) ...	759	54289B
Bulb ...	—	‡987	" " (red flasher) ...	759	54269B
Coil, ignition ...	HA12	*★45207A (45213)	Overdrive equipment (optional)		
Control box ...	RB340	37342H	Control switch (R.H.D. and N. America) ...	90SA	★35780A
Distributor ...	22D6	41273A	" " (L.H.D.) ...	90SA	★35781A
Flasher unit ...	FL5	★35011A	Interrupter switch ...	SS10	*★31849A (34460)
Fuse box ...	4FJ	*54038033 (54038068)	Relay ...	6RA	★33213E
Generator ...	C40L	*22763A (22716)	Solenoid ...	11S	★76522H
Horn			Reflex reflector ...	RER24	57111A
High note ...	9H	54068105	" " (Switzerland) ...	RER14	*57079A (575189)
Low note ...	9H	54068104	Starting motor ...	M35G-1	25079H/J
LAMPS			Steering column control ...	CC9	‡§33668A
Flasher (Germany) ...	659	52807A	Brush ...	—	‡§54301407
Head, Home (R.H.D.)			Steering column control (N. America) ...	CC9	‡§33668A
Non-dip ...	5‡	58990D	Brush ...	—	‡54300325
" " ... Later	5‡	59678A	SWITCHES		
Dip ...	5‡	58997D	Direction indicator ...	125SA	35774A
Head, Export Europe (except countries stated)			Heater ...	65SA	*★34555D (31828)
Non-dip ...	5‡	58990D	Horn isolating (France) ...	65SA	*★34555D (31828)
" " ... Later	5‡	59986A	Ignition and starting ...	47SA	*★31873J (34680)
Dip ...	5‡	58520H	Lighting and headlamp flashing		
" " ... Later	5‡	59988A	R.H.D. ...	102SA	★35778A
Head, Export France			L.H.D. ...	102SA	★35779A
Non-dip ...	5‡	59340D	Export Sweden ...	102SA	★35859A
" " ... Later	5‡	59989A	Master lighting ...	58SA	★34477A
Dip ...	5‡	58601H	Knob ...	—	‡54334502
" " ... Later	5‡	59991A	Panel (N. America) ...	120SA	★34678A
Head, Export Italy			Knob ...	—	‡54334481
Non-dip ...	5‡	*58906D (58602)	Reversing lamp ...	SS10	★34460A
" " ... Later	5‡	59986A	Solenoid, starting motor ...	4ST	*★76766B
Dip ...	5‡	*58895D (58603)	Windshield wiper ...	PS7	*★34316A (31869)
" " ... Later	5‡	59988A	Knob ...	—	‡54334501
Head, Export N. America			Knob, heater ...	—	54334503
Non-dip ...	5‡	*58905D (58602)	" air distribution ...	—	54335558
Dip ...	5‡	*59644B (58603)	Warning lights		
Number plate illumination and reversing ...	469	53161D	Flasher (shade and window) ...	WL13	*54360552 (319217 & 305569)
			Bulb holder		
			Flasher ...	—	863511
			Ignition, oil pressure and main beam ...	—	319403
			Bulbs ...	—	‡987

* When ordering, quote part number shown in brackets
‡ Suitable Lucas replacement

§ Order separately § Serviced by Vehicle Manufacturer
★ Service complete unit only



EQUIPMENT SPECIFICATIONS

TRIUMPH 'Vitesse' 2 litre Saloon and Convertible Mk. II—continued

Unit	Model	Part No.	Unit	Model	Part No.
Windshield wipers			Windshield wipers—continued		
Motor	DR3A	75446A	Outer casing—continued		
" (Sweden)	DR3A	*75714A (75544)	Short, wheelbox	—	*740746 (54702605)
Wheelbox	—	72722A	Grommet	—	740811
Rack	—	743221	Arm, R.H.D.	—	54711525
Outer casing			" L.H.D.	—	54711526
Motor to wheelbox	—	54710692	Blade	—	54711282
Wheelbox to wheelbox	—	54710693			
			Brake, Clutch and Shock Absorber Equipment (Serviced by Girling — see pages 11 and 12)		

TRIUMPH 2000 Saloon and Estate Car
2.5 P.I. Saloon

Alternator (2.5 P.I.)	ISAC	23544F	Lamps, Head, Export Italy—continued		
Automatic transmission equipment (optional)			Dip	5‡	*59260D (59284) 60044A
Solenoid, starting motor	4ST	*76772B	" Later	5‡	
Battery (Home)	C9	54027393	Head, Export N. America		
" (Export, dry charged)	CZ9	54027395	Non-dip	5‡	*59639A (58602)
" (Canada)	CZ11/9	54027474	Dip	5‡	*59256D (59284)
" (2.5 P.I., Home)	CA9/7	54027663	Number plate and boot illumination	743	54191A
" (2.5 P.I., Export, dry charged)	CAZ9/7	54027665	Side and flasher (amber, left hand)	742	52659E
Bulb holder, speedometer panel light	—	554734	" " (amber, right hand)	742	52660B
Bulb	—	54944812	" " (Italy, left hand)	742	52702A
		987	" " (Italy, right hand)	742	52703A
Coil, ignition	HA12	*45208A (45212)	Stop tail, flasher and reversing	741	54189H
Control box (2.5 P.I.)	4TR	*37527A	" " " (N. America and Italy)	741	54254B
" " (2000)	RB340	37342J	Overdrive equipment (optional)		
Distributor (2000)	25D6	41166A	Control switch, R.H.D.	90SA	*34713E
" (2000, low compression)	25D6	41167A	" " L.H.D.	90SA	*34714E
" (2.5 P.I.)	25D6	41236D	Interrupter switch	SS10	*31849A (34460)
Flasher unit	FL5	*35011A	Relay	6RA	*33213E
Fuse box	7FJ	*54038045 (37416)	Solenoid	11S	*76517F/H (76547)
Generator (2000)	C40L	*22763A (22716)	Petrol injection equipment (2.5 P.I.)		
Horn			Control and metering distributor	—	54073025
Very high note	9H	54068136	Metering distributor	—	73059B
" " (Sweden)	9H	54068196	Control unit	—	73066A
High note	9H	54068079	Pump and motor	—	54073012B
" " (Sweden)	9H	54068195	Pump	—	73060A
Instrument nacelle and warning light assembly			Motor	—	73052A
Body with four warning light windows	—	54362446	Nozzle	—	*73045A
Bulb holder	—	54361362	Insulating block and 'O' ring	—	*54733327
Body and bulb with three warning light windows	—	54361430	Relief valve	—	*73072A
LAMPS			Relay (headlamp flasher)	6RA	*33188D
Head, Home (R.H.D.)			" (horn)	6RA	*33188D
Non-dip	5‡	58990D	Screenjet	5SJ	54071460
" Later	5‡	59986A	Starting motor (2.5 P.I.)	M418G	25626A
Dip	5‡	59678A	" (2000)	M35G-1	25079J
"	5‡	59255D	Steering column control	CC2	§33645F
Head, Export Europe (except countries stated)			Brush	—	154301565
Non-dip	5‡	58990D	Steering column control (N. America)	CC9	§33668A
" Later	5‡	59986A	Brush	—	154300325
Dip	5‡	59258D	SWITCHES		
" Later	5‡	60044A	Dipper	103SA	*34536E (34790) 154337982
Head, Export France			Cap, rubber	—	§35604A
Non-dip	5‡	59340D	Direction indicator and headlamp flashing	92SA	154323344D
" Later	5‡	59989A	Lever	—	*34555D (31828)
Dip	5‡	59257D	Horn isolating (France)	65SA	*31873J (34680)
" Later	5‡	*60045A (60044 & 411)	Ignition and starting	47SA	*34623A (31869)
Head, Export Italy			Interior lamp	PS7	154321986
Non-dip	5‡	*58906D (58602)	Knob	—	*35735A
" Later	5‡	59986A	Lighting (headlamp)	107SA	*35734A
			" (side lamp)	107SA	

* When ordering, quote part number shown in brackets
‡ Suitable Lucas replacement

† Order separately § Serviced by Vehicle Manufacturer
★ Service complete unit only



EQUIPMENT SPECIFICATIONS

**TRIUMPH 2000 Saloon and Estate Car
2.5 P.I. Saloon—continued**

Unit	Model	Part No.	Unit	Model	Part No.
Switches—continued			Windshield wipers		
Panel light	3R	★78428A 154324902	Motor (2-speed, 2.5 P.I.)	6WA 6WA 6W	75591E 75706A 75584D
Knob	—	—	" (2000) Later	—	72787A
Reversing light	SS10	★34460A	Wheelbox	—	744256
Screenjet	15SA	★54321944 154324733	Rack (cut to 36 3/8")	—	—
Knob	—	—	Outer casing	—	—
Solenoid, starting motor	2ST	*★76464H (76766)	Motor to wheelbox	—	54715877
" " " " " " Later	4ST	★76772B	Wheelbox to wheelbox	—	54715878
Windshield wiper (2-speed, 2.5 P.I.)	142SA	35637A	Short, wheelbox	—	*740746 (54702605)
" (2000)	107SA	★35743A	Arm (driver's side)	—	54716246
Nacelle (wiper and screenjet switch)	—	54339599	" (passenger's side, R.H.D.)	—	54717902
Warning lights			" (passenger's side, L.H.D.)	—	54717903
Bulb holder, choke, flasher, fuel reserve, ignition, main beam and oil pressure	—	54945043	Blade	—	*54700547 (60250008)
Bulb	—	‡281			

TRIUMPH 'Spitfire 4' Mk. III

Battery (Home)	D9	*54028971	SWITCHES		
" (Export, dry charged)	DZ9	†54028973	Direction indicator	125SA	35774A
" (Canada)	CAZ9/7	54027665	Hazard warning	152SA	★39171B
Bulb holder, panel and speedometer illumination	—	554734	Heater (optional)	65SA	*★34555D (31828)
Bulb holder, panel and temperature gauge	—	54944812	Horn isolating (France)	65SA	*★34555D (31828)
Bulb	—	‡987	Ignition and starting	47SA	*★31873J (34680)
Coil, ignition	HA12	*★45208A (45212)	Lighting and headlamp flashing		
Control box	RB340	37344H	R.H.D.	102SA	★35674A
Flasher unit	FL5	★35011A	L.H.D.	102SA	★35675A
Fuse box	8FJ	*37520A (54939240)	Export Sweden	102SA	★35859A
Generator	C40	*22715E (22700)	Master lighting	58SA	★34477A 154336440
Horn			Knob	—	—
High note	9H	†54068079	Reversing lamp	SS10	★34460A
Low note	9H	†54068078	Solenoid, starting motor	4ST	★76772B
LAMPS			Windshield wiper	PS7	*★34316A (31869)
Flasher, rear (amber)	760	54495A	Knob	—	154334501
" " (red)	760	54520A	Knob, heater	—	154334503
Head, Home (R.H.D.), dip left	F700	59103B	" wiper/washer (Sweden)	—	154329096
Head, Export Europe (except countries stated)	F700	59104E	Warning lights		
Head, Export France	F700	59167E	Dual brake (U.S.A.)	WL13	★54362727
Head, Export N. America	F700	59337D	Flasher (shade and window)	WL13	*54360552 (319217 & 305569)
Number plate illumination	467-2	53093K	Bulb holder		
" " (N. America)	467-2	53836F	Flasher	—	863511
Reversing	594	52345B	Oil, main beam and ignition	—	319408
Side and flasher (amber flasher)	677	52973A	Bulb	—	‡987
" " (clear flasher)	677	52876A	Windshield wipers		
Stop tail and reflex	672	54138A	Motor	DR3A	75450D
Overdrive equipment (optional)			" (Sweden)	DR3A	*75715A (75462)
Control switch (R.H.D. and N. America)	90SA	★35780A	" (U.S.A.)	DR3A	75752A
" (L.H.D.)	90SA	★35781A	Wheelbox	—	72761A
Interrupter switch	SS10	*★31849A (34460)	Rack (cut to 32 3/8")	—	743221
Relay	6RA	★33213E	Outer casing		
Solenoid	11S	*★76522H	Motor to wheelbox	—	54716430
Reflex reflector (amber, U.S.A.)	RER22	★57171A	Wheelbox to wheelbox	—	54703525
" " (red, U.S.A.)	RER22	★57172A	Short, wheelbox	—	*740746 (54702605)
Starting motor	M35G-1	25079H/J	Grommet	—	745031
Steering column control	CC9	‡33668A	Arm, R.H.D.	—	54712026
Brush	—	‡54300325	" L.H.D.	—	54715801
			Blade	—	54711281

**Brake, Clutch and Shock Absorber Equipment
(Serviced by Girling — see page 12)**

* When ordering, quote part number shown in brackets
† Suitable Lucas replacement

‡ Order separately § Serviced by Vehicle Manufacturer
★ Service complete unit only



EQUIPMENT SPECIFICATIONS

TRIUMPH GT6 Mk. II Sports Car

Unit	Model	Part No.	Unit	Model	Part No.
Alternator	15ACR	23562A	SWITCHES		
Battery (Home)	CA9/7	†54027663	Direction indicator	125SA	35676A
" (Export, dry charged)	CAZ9/7	†54027665	Heater (optional)	57SA	*★35660A (35560)
Bulb holder, panel and speedometer illumination	—	554734	Horn isolating (France)	65SA	*★34555D (31828)
Bulb holder, panel and temperature gauge	—	54944812	Ignition and starting	47SA	*★31873J (34680)
Bulb	—	‡987	Interior light (when fitted)	65SA	*★35661A (35562)
Coil, ignition	HA12	*★45208A (45212)	Lighting and headlamp flashing R.H.D.	102SA	*★35674A
Distributor	22D6	†41168A	L.H.D.	102SA	*★35675A
Flasher unit	FL5	*★35011A	Export Sweden	102SA	*★35866A
Fuse box	8FJ	*37520A (54939240)	Master lighting	57SA	*★35672A
Horn			Reversing lamp	SS10	*★34460A
High note	9H	54068164	Solenoid, starting motor	45T	*★76766A
Low note	9H	*54068101 (54068078)	Warning lights		
LAMPS			Dual brake (U.S.A.)	WL13	*★54362727
Flasher, rear (amber)	594	52337B	Flasher (shade and window)	WL13	*54360552 (319217 & 305569)
" (red)	691	54139D	Bulb holder	—	863511
Head, Home and Export (R.H.D.), dip left	F700	59103B	Flasher	—	319408
Head, Export Europe (except countries stated)	F700	59104E	Oil, main beam and ignition Bulb	—	‡987
Head, Export France	F700	59167E	Windshield wipers		
Head, Export N. America	F700	59337D	Motor	DR3A	75450D
Number plate illumination	467-2	53093K	" (U.S.A.)	DR3A	*75652A (75664 & 54702582)
" (N. America)	467-2	53836F	" (Sweden)	DR3A	*75715A (75462)
Reversing	594	52345B	Wheelbox	—	72761A
Side and flasher, front Amber	677	52866A	Rack (cut to 32 3/8")	—	743221
Clear (N. America)	677	52973A	Outer casing	—	54716430
Stop tail and reflex	672	54138A	Motor to wheelbox	—	54716740
Overdrive equipment (optional)			Wheelbox to wheelbox	—	*740746 (54702605)
Control switch (R.H.D. and N. America)	90SA	*35749A	Short, wheelbox	—	745031
" (L.H.D.)	90SA	*35750A	Grommet	—	54712026
Interrupter switch	SS10	*31849A (34460)	Arm, R.H.D.	—	54701986
Relay	6RA	*33213E	" (U.S.A.)	—	54715801
Solenoid	11S	*76522J	" L.H.D.	—	54703556
Starting motor	M35G-I	25079H/J	" (U.S.A.)	—	54711281
Steering column control	CC9	§33577B	Blade	—	54702519
Brush	—	†54301407	" (U.S.A.)	—	
Steering column control (N. America)	CC9	§33668A	Brake and Clutch Equipment		
Brush	—	†54300325	(Serviced by Girling — see page 12)		

TRIUMPH TR5PI Sports Car
TR250 (Export U.S.A.)

Alternator	15ACR	23562A	Lamps, Head—continued		
Ammeter	CZU60	*36412A	Head, Export France	F700	59167E
Battery (Home)	C9	54027393	Head, Export N. America	F700	59337D
" (Export, dry charged)	CZ9	54027395	Marker (rear side)	734	545388
" (cold climates)	CZ11/9	54027474	Number plate illumination	550	*54549A (53941)
Bulb holder, panel light	—	54944812	" (Germany)	467-2	53093K
Bulb " speedometer	—	554734	Reversing	594	52610A
Bulb	—	‡987	Side and marker (U.S.A., left hand)	771	52904A
Coil, ignition	HA12	*★45208A (45212)	" (U.S.A., right hand)	771	52903A
Distributor	22D6	41219B	Side and repeater (left hand)	771	52909A
" (TR250, anti-pollution specfn.)	22D6	41202A	" (right hand)	771	52910A
Flasher unit	8FL	*35049A	Stop tail, flasher and reflex		
" (N. America)	8FL	*35048A	Amber flasher	799	54547A
" (hazard warning)	—	*54362147	Red flasher (Pennsylvania and Italy)	799	54548A
Fuse box	7FJ	54038047	Overdrive equipment (optional)		
LAMPS			Control switch, R.H.D.	90SA	*35780A
Flasher, front (amber)	594	*52609A (52337)	" L.H.D.	90SA	*35781A
" (clear)	594	*52607A (52338)	Interrupter switch	SS10	*31849A (34460)
" (amber, N. America)	691	52902A/B	Solenoid	11S	*76515F/H
Head, Home (R.H.D.), dip left	F700	59103B	Relay	6RA	*33213E
Head, Export Europe (except countries stated)	F700	59104E	Petrol injection equipment (Mk. II)		
			Control and metering distributor	—	54073014
			Metering distributor	—	73059A/B
			Control unit	—	73077A

* When ordering, quote part number shown in brackets
† Suitable Lucas replacement

‡ Order separately § Serviced by Vehicle Manufacturer
★ Service complete unit only

continued



EQUIPMENT SPECIFICATIONS

**TRIUMPH TR5PI Sports Car
TR250 (Export U.S.A.)—continued**

Unit	Model	Part No.	Unit	Model	Part No.
Petrol injection equipment (Mk. II)			Switches—continued		
—continued			Panel light 3R		
Pump and motor	—	54073012	Knob	—	★31849A
Pump	—	73060A	Reversing lamp	SS10	(34460)
Motor	—	73052A	Solenoid, starting motor	4ST	★76766B
Nozzle	—	73045A	Knob, air control	—	(76772)
Insulating block and 'O' ring	—	★54733327	" heater control	—	‡54326157
Filter	—	★54073009			‡54326158
Filter element	—	★54733180	Warning light (hazard warning and dual brake)	WL13	★54362727
Relief valve	—	★73064A			
Filter, relief valve	—	★54732894	Windshield wipers		
Relay (hazard warning)	6RA	★33231B	Motor	DR3A	75568B
Screenjet	5SJ	54071460	Wheelbox, left hand	—	72753B
Steering column control (horn push)	CC9	‡33577B	" right hand	—	72752B
Brush	—	‡54300325	Rack (cut to 28 1/2")	—	743221
Steering column control (N. America)	CC9	‡33668A	Outer casing		
Brush	—	‡54300325	Motor to wheelbox	—	54713140
Starting motor	M418G	25626A	Wheelbox to wheelbox	—	740746
			Short, wheelbox	—	745031
SWITCHES			Grommet	—	54715416
Dipper	103SA	★34536E	Arm, R.H.D. (bright, left hand)	—	54711536
Cap, rubber	—	‡54337982	" (bright, right hand)	—	54711613
Direction indicator	125SA	35774A	Blade (bright)	—	54715792
Hazard warning (N. America)	107SA	★35857A	Arm, L.H.D. (low reflectivity, left hand)	—	54701955
Heater/Blower	58SA	★34477A (34317)	" (low reflectivity, right hand)	—	54701954
Knob	—	‡54326213	Blade (low reflectivity)	—	
Ignition and starting	47SA	★35856A			
Lighting and headlamp flashing					
R.H.D.	102SA	★35783A/B			
L.H.D.	102SA	★35782A/B			

**TRIUMPH TR6PI Sports Car
TR6 (Export U.S.A.)**

Alternator	15ACR	23562A	Lamps—Stop tail, flasher, reflex, reversing and rear side marker—continued		
Ammeter	CZU60	36427A	Export Europe (left hand)	832	54658B
Battery (Home)	C9	54027393	" (right hand)	832	54657B
" (Export, dry charged)	CZ9	54027395	Export France (left hand)	832	★54738B
" (cold climates)	CZ11/9	54027474	" (right hand)	832	(54658 & 54580238)
Bulb holder, panel light	—	54944812			★54737B
" speedometer	—	554734			(54657 & 54580239)
Bulb	—	1987	Overdrive equipment (optional)		
Coil, ignition	HA12	★45208A (45212)	Control switch (R.H.D.)	90SA	★35780A
Distributor	22D6	41219B	" (L.H.D.)	90SA	★35781A
" (TR6 U.S.A. anti-pollution specfn.)	22D6	41202A	Interrupter switch	SS10	★31849A (34460)
Flasher unit	8FL	★35049A	Solenoid	11S	★76515F/H
" (N. America)	8FL	★35048A	Relay	6RA	★33213E
" (hazard warning)	—	★54362147	Petrol injection equipment		
Fuse box	7FJ	★54038057 (37420)	Control metering distributor	—	54073029
Horn			Metering distributor	—	73059A/B
Low note	9H	★54068078	Control unit	—	73077A
High note	9H	★54068164	Pump and motor	—	54073012
LAMPS			Pump	—	73060A
Head, Home (R.H.D.), dip left	F700	59103E	Motor	—	73052A
Head, Export Europe (except countries stated)	F700	59104E	Nozzle	—	73045A
Head, Export France	F700	59167E	Insulating block and 'O' ring	—	★54733327
Head, Export N. America	F700	59337D	Filter	—	★54073009
Number plate illumination	766	54632B	Filter element	—	★54733180
Side and flasher, front			Relief valve	—	★73064A
Left hand	827	52944B	Filter relief valve	—	★54732894
Right hand	827	52943B	Relay (hazard warning)	6RA	★33231D
Italy (left hand)	827	52982A	Screenjet	5SJ	54071460
" (right hand)	827	52981A	Steering column control (horn push)	CC9	‡33577B
U.S.A. (left hand)	827	52946B	Brush	—	‡54300325
" (right hand)	827	52945B	Steering column control (N. America)	CC9	‡33668A
Side marker and reflex, front			Brush	—	‡54300325
Left hand	826	52942A	Starting motor	M35G-1	25079J
Right hand	826	52941A	" "	M418G	25626A
Stop tail, flasher, reflex, reversing and rear side marker			SWITCHES		
Left hand	832	54610D	Dipper	103SA	★34536E (34790)
Right hand	832	54609D	Cap, rubber	—	‡54337982
			Direction indicator	125SA	35774A

‡ When ordering, quote part number shown in brackets
‡ Suitable Lucas replacement

‡ Order separately § Serviced by Vehicle Manufacturer
★ Service complete unit only



EQUIPMENT SPECIFICATIONS

**TRIUMPH TR6PI Sports Car
TR6 (Export U.S.A.)—continued**

Unit	Model	Part No.	Unit	Model	Part No.
Switches—continued			Windshield wipers—continued		
Hazard warning (N. America)	107SA	★35857A	Motor (L.H.D.)	14W	*75654A (75664 & 54702584)
Heater blower	58SA	★34477A	Wheelbox (left hand)	—	★72829A
Knob	—	‡54326213	(right hand)	—	★72828A
Ignition and starting	47SA	★35856A	Rack (cut to 28 1/2")	—	743221
Lighting and headlamp flashing (R.H.D.) ...	102SA	★35783A/B	Ferrule	—	54701385
(L.H.D.)	102SA	★35782A/B	Outer casing		
Panel light	3R	★78391A	Motor to wheelbox	—	54703557A
Knob	—	‡54328700	Wheelbox to wheelbox	—	54703573
Reversing lamp	SS10	*★31849A (34460)	Short, wheelbox	—	*740746 (54702605)
Solenoid, starting motor	4ST	★76766B	Grommet	—	745031
Knob, air control	—	‡54326157	Arm, R.H.D. (bright, left hand)	—	54715416
heater control	—	‡54326158	" (bright, right hand)	—	54711536
Warning light (hazard warning and dual brake)	WL13	★54362727	Blade (bright)	—	54711613
Windshield wipers			Arm, L.H.D. (low reflectivity, left hand) ...	—	54703741
Motor (R.H.D.)	14W	*75655A (75664 & 54702597)	" (low reflectivity, right hand) ...	—	54703716
			Blade (low reflectivity)	—	54703740

TRIUMPH 'Pony' (C.K.D. Israel)

Ammeter	CZU25	§★36411A	SWITCHES		
Battery (Export, dry charged)	DZ9	54028973	Dipper	103SA	★34536E
Coil, ignition	LA12	45189B	Cap, rubber	—	‡54337982
Control box	RB340	37344H	Direction indicator	125SA	35800A
Distributor	25D4	41191A	Heater (when fitted)	107SA	★35941A
Flasher unit	FL5	★35011A	Ignition and starting	47SA	★31873J
Fuse box	4FJ	54038033	Lighting, headlamps	107SA	★34741A
Generator	C40-1	*22715E (22700)	side lamps	107SA	★35836A
Horn	6H	★70189B	Solenoid	4ST	*★76766B (76772)
LAMPS (when fitted)			Windshield wiper	45SA	★35794A
Flasher, front (amber)	594	52337B	Warning light (flasher)	WL13	*54360552 (319217 & 305569)
" " (clear)	594	52345B	Windshield wipers		
Flasher, rear (amber)	594	52337B	Motor	DR3	75628A
" " (red)	594	53600E	Wheelbox	—	72774A
Head, Home (R.H.D.), dip left	F700	59103B	Rack (cut to 35 3/8")	—	744254
Head, Export Europe	F700	59104E	Outer casing		
Side	488	52421B	Motor to wheelbox	—	54702265
Stop tail and number plate illumination	761	54466A	Wheelbox to wheelbox	—	54702266
Plug and socket	—	39521A	Short, wheelbox	—	740746
Starting motor	M35G	25112B			
Steering column control (horn push) ...	CC9	§33577B			

* When ordering, quote part number shown in brackets

‡ Order separately

§ Serviced by Vehicle Manufacturer

★ Service complete unit only



BRAKE, CLUTCH AND SHOCK ABSORBER EQUIPMENT (Serviced by GIRLING)

	Triumph 'Herald' 1200		Triumph 'Herald' 1200 (Optional Disc Equipment) and Triumph 'Herald' 13/60		Triumph 1300	
	Front	Rear	Front	Rear	Front	Rear
Complete brake or caliper						
Left hand	GBB47941	64028301	64032668	64028301	64032435	64029500
Right hand	GBB47942	64028303	64032669	64028303	64032436	64029502
Lined shoe or pad assembly						
Left hand	GBB45778	GBB45774	64327636GX	GBB45774	64327636GX	GB47970
Right hand	GBB45778	GBB45774	64327636GX	GBB45774	64327636GX	GB47970
Spring, cylinder end	GB49845	GB43258	—	GB43258	—	GB43258
Spring, adjuster end	GB49845	GB43259	—	GB43259	—	GB43259
H.P. hose	64047390	64047368	64047905	64047368	64047368	64047368
Wheel cylinder assembly						
Left hand	390312W ($\frac{3}{4}$ "	390417W ($\frac{3}{4}$ "	—	390417W ($\frac{3}{4}$ "	—	64673049 (.7"
Right hand	390313W ($\frac{3}{4}$ "	390417W ($\frac{3}{4}$ "	—	390417W ($\frac{3}{4}$ "	—	64673049 (.7"
Service kit	SP2044	SP2027	SP2534	SP2027	SP2534	SP2087
Adjuster assembly... ..	—	GB49001	—	GB49001	—	GB49001
Service kit	—	SPI850	—	SPI850	—	SPI850
Master cylinder assembly, brake		3112258W		64068632		64068553
Service kit		SPI963		SP2389		SP2173
Master cylinder assembly, clutch		3112258W		3112258W		64068382
Service kit		SPI963		SPI963		SPI963
Slave cylinder assembly		64068370		64068370		64068381
Service kit		SP2348		SP2348		SP2267
Complete shock absorber assembly ...	4412	4158 *4365	4412	4158 *4365	4765	4766
Shock absorber only	4413	—	4413	—	4800	—
Engine unit shock absorber assembly ...	—	—	—	—	4898	—

	Triumph 1300TC		Triumph 'Vitesse' Mk. II 2 litre (Single master cylinder system)		Triumph 'Vitesse' Mk. II 2 litre (Tandem master cylinder system)	
	Front	Rear	Front	Rear	Front	Rear
Complete brake or caliper						
Left hand	64032435	64029500	64032714	64019614	64032714	64019614
Right hand	64032436	64029502	64032715	64019616	64032715	64019616
Lined shoe or pad assembly						
Left hand	64327636GX	GBB47970	64326054HD	GB47970	64326054HD	GB47970
Right hand	64327636GX	GBB47970	64326054HD	GB47970	64326054HD	GB47970
Spring, cylinder end	—	GB43258	—	GB43258	—	GB43258
Spring, adjuster end	—	GB43259	—	GB43259	—	GB43259
H.P. hose	64047358	64047368	64047355	64047368	64047355	64047368
Wheel cylinder assembly... ..	—	64673049 (.7"	—	390402W	—	390402W
Service kit	SP2534	SP2087	SP2501	SP2074	SP2501	SP2074
Adjuster assembly... ..	—	GB49001	—	GB49001	—	GB49001
Service kit	—	SPI850	—	SPI850	—	SPI850
Pressure diff. warning actuator ...	—	—	64068955	—	64068955	—
Service kit	—	—	SP2615	—	SP2615	—
Master cylinder assembly, brake		64068795		64068325		64068678
Service kit		SP2119		SP2172		SP2407
Master cylinder assembly, clutch		64068382		3112258W		3112258W
Service kit		SPI963		SPI963		SPI963
Slave cylinder assembly		64068381		64068867		64068867
Service kit		SP2267		SP2487		SP2487
Servo unit assembly		64049126		—		—
Service kit		SP2228		—		—
Complete shock absorber assembly ...	4765	4766	4412	4365	4412	4365
Shock absorber only	4800	—	4413	—	4413	—
Engine unit shock absorber assembly ...	4898	—	—	—	—	—

* Heavy duty unit



BRAKE, CLUTCH AND SHOCK ABSORBER EQUIPMENT (Serviced by GIRLING)

	Triumph 'Vitesse' Mk. II 2 litre (Single master cylinder system) —France only		Triumph 'Spitfire 4' Mk. III L.H.D. and R.H.D.		Triumph 'Spitfire 4' Mk. III L.H.D.—U.S.A. only	
	Front	Rear	Front	Rear	Front	Rear
Complete brake or caliper						
Left hand	64032714	64019614	64032668	64028301	64032668	64028301
Right hand	64032715	64019616	64032669	64028303	64032669	64028303
Lined shoe or pad assembly						
Left hand	64326054HD	GB47970	64327636GX	GBB45774	64327636GX	GBB45774
Right hand	64326054HD	GB47970	64327636GX	GBB45774	64327636GX	GBB45774
Spring, cylinder end	—	GB43258	—	GB43258	—	GB43258
Spring, adjuster end	—	GB43259	—	GB43259	—	GB43259
H.P. hose	64047355	64047368	64047373	64047368	64047905	64047368
Wheel cylinder assembly... ..	—	390402W	—	390417 ($\frac{3}{8}$ "*)	—	390417W ($\frac{3}{8}$ "*)
Service kit	SP2501	SP2074	SP2534	SP2027	SP2534	SP2027
Adjuster assembly... ..	—	GB49001	—	GB49001	—	GB49001
Service kit	—	SP1850	—	SP1850	—	SP1850
Pressure diff. warning actuator	64068955	—	—	—	—	—
Service kit	SP2615	—	—	—	—	—
Master cylinder assembly, brake	—	64068631	—	64068630	—	64068680
Service kit	—	SP2152	—	SP2173	—	SP2406
Master cylinder assembly, clutch	—	3112258W	—	3112258W	—	3112258W
Service kit	—	SP1963	—	SP1963	—	SP1963
Slave cylinder assembly	—	64068867	—	64068370	—	64068370
Service kit	—	SP2487	—	SP2348	—	SP2348
Complete shock absorber assembly	4412	4365	4412	4158 *4365	4412	4158 *4365
Shock absorber only	4413	—	4413	—	4413	—

	Triumph GT6 Mk.I and Mk.II (Single master cylinder system) L.H.D. and R.H.D.		Triumph GT6 Mk.I and Mk.II (Tandem master cylinder system) L.H.D.		Triumph GT6 Mk.I and Mk.II (Single master cylinder system) —France only	
	Front	Rear	Front	Rear	Front	Rear
Complete brake or caliper						
Left hand	64032714	64019614	64032714	64019614	64032714	64019614
Right hand	64032715	64019616	64032715	64019616	64032715	64019616
Lined shoe or pad assembly						
Left hand	64326054HD	GB47970	64326054HD	GB47970	64326054HD	GB47970
Right hand	64326054HD	GB47970	64326054HD	GB47970	64326054HD	GB47970
Spring, cylinder end	—	GB43258	—	GB43258	—	GB43258
Spring, adjuster end	—	GB43259	—	GB43259	—	GB43259
H.P. hose	64047355	64047902 64046115	64047355	64047902 64046115	64047355	64047902 64046115
Wheel cylinder assembly... ..	—	390402W	—	390402W	—	390402W
Service kit	SP2501	SP2074	SP2501	SP2074	SP2501	SP2074
Adjuster assembly... ..	—	GB49001	—	GB49001	—	GB49001
Service kit	—	SP1850	—	SP1850	—	SP1850
Pressure diff. warning actuator	—	—	—	64068955	—	—
Service kit	—	—	—	SP2615	—	—
Master cylinder assembly, brake	—	64068325 (.7" CV)	—	64068678 ($\frac{3}{8}$ " TVCV)	—	64068631 (.7" CV)
Service kit	—	SP2172	—	SP2407	—	SP2152
Master cylinder assembly, clutch	—	3112258W ($\frac{5}{8}$ " CV)	—	3112258W ($\frac{5}{8}$ " CV)	—	3112258W ($\frac{5}{8}$ " CV)
Service kit	—	SP1963	—	SP1963	—	SP1963
Slave cylinder assembly	—	64068867	—	64068867	—	64068867
Service kit	—	SP2487	—	SP2487	—	SP2487
Complete shock absorber assembly (Mk. I)	4412	4158	4412	4158	4412	4158
Shock absorber only (Mk. I)	4413	—	4413	—	4413	—
Complete shock absorber assembly (Mk. II)	—	2095	—	2095	—	2095

* Heavy duty unit



STARTING MOTORS

Part No. ... Model ...	25079J M35G-I	25112A/B M35G-I	25626A M418G
Cover band ...	250322	250322	54240319
Nut, screw fixing ...	169160	169160	169160
Screw, cover fixing ...	127584	127584	127584
Bolt, through fixing ...	228335	228335	256009
Brushes set ...	251108	251108	255659
Bracket or frame, commutator end ...	54259301	54257839	54240300
Bushing, bearing ...	251477	250626	251477
Springs set, brush tension ...	251942	251942	54257221
Cup, spring ...	54256889	54256889	—
Bolt, pivot ...	—	—	54240485
Nut, pivot bolt ...	—	—	272549
Lever, pinion engaging ...	—	—	54240960
Ring, jump ...	54251921	54251921	54250703
Washer, buffer ...	291970	291970	—
Spring, main ...	250404	250404	—
Drive ...	—	—	54240327
Ring, bush retaining ...	—	—	291013
Plate, lever operating ...	—	—	54259624
Bushing, bearing ...	—	—	54252075
Pinion and sleeve ...	54252212	54256604	—
Sleeve, screwed ...	250696	250846	—
Bracket or frame, drive end ...	54253143	54257554	54242823
Bushing, bearing ...	253316	253316	54252054
Washer, thrust, drive end ...	158550	158550	54250549
Collar, thrust ...	—	—	54252863
Washer, thrust, commutator end ...	—	—	54140202
Washer, thrust, commutator end, fabric ...	—	—	54140203
Armature ...	54254042	54254042	54240322
Solenoid ...	—	—	76786
Field coils set ...	251089	54257804	54240709
Terminal, field ...	54252850	54252850	—
Bush, insulating ...	54251942	54251942	—
Collar, spacing ...	54251943	—	—
Sundry parts set ...	256762	256762	271731

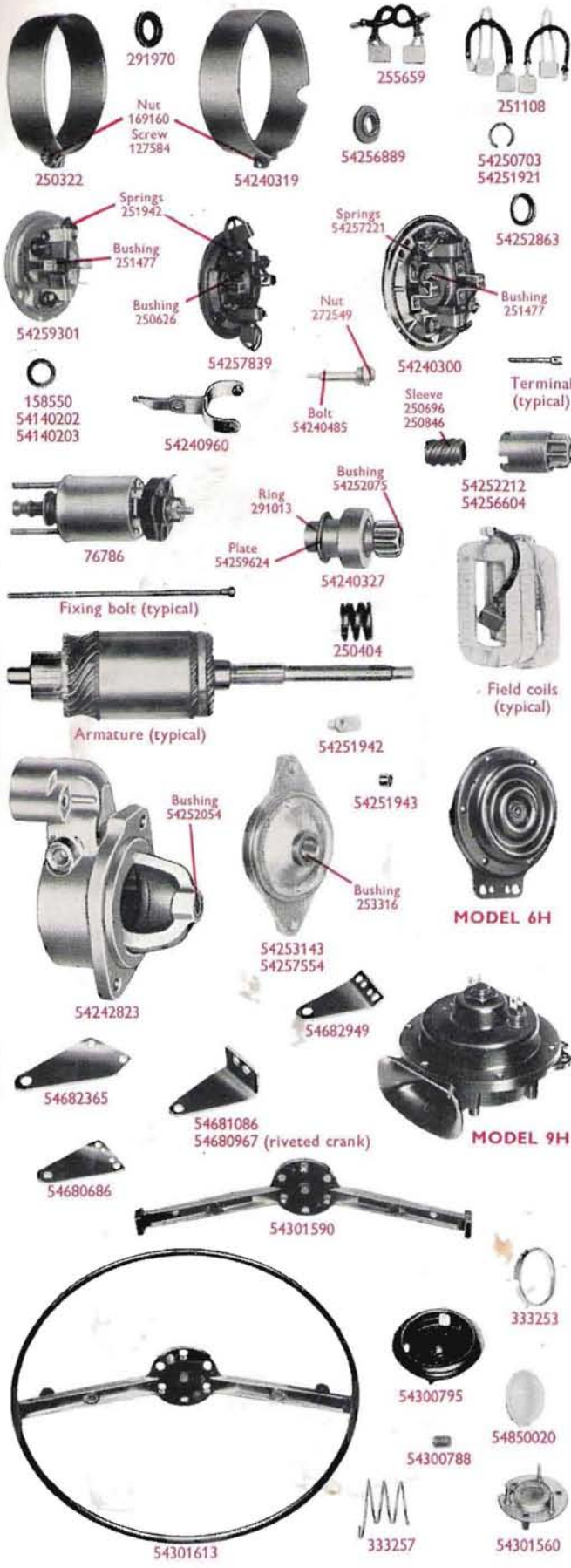
HORNS

Part No. Model ...	70189B 6H		
Part No. ...	54068078	54068141	54068101
Model ...	54068079	54068142	54068105
	54068086		54068136
	54068087		54068164
	54068195		
Model ...	9H	9H	9H
Bracket ...	54680686	54680686	54681086
Part No. ...	54068104	54068177	54068196
Model ...	9H	9H	9H
Bracket ...	54681086	54682365	54682949

STEERING COLUMN CONTROLS

Part No. Model ...	†33641E CC2	†33645F CC2
Nut, fixing ...	54301269	54301269
Bar and top contact assembly ...	54301590	—
Horn ring and contact assembly ...	—	54301613
Plate, fixing and contact, bottom ...	54301560	54301560
Spring, return ...	54300788	54300788
Clip, cover retaining ...	54150219	—
Cover and motif assembly ...	†54301559	†54301559
Part No. Model ...	†33577B CC9	†33668A CC9
Knob, horn push ...	†54850020	†54850486
Ring, knob retaining ...	333253	333253
Spring, horn knob ...	333257	333257
Cover and bottom contact ...	54300795	54300795

† Complete control serviced by Vehicle Manufacturer
‡ Serviced by Vehicle Manufacturer





GENERATORS

Part No.	22700L/M 22715E/F	22763A
Model	C40	C40L
Brushes set	227541	227541
Bracket or frame, commutator end	54211125	54212628
Bushing, bearing	227818	227818
Oiler	54211097	54211097
Springs set, brush tension	227542	227542
Bearing, drive end	189307	189307
Bracket or frame, drive end	54215165	54215165
Plate, bearing	229595	229595
Circlip	54216322	54216322
Washer, felt retaining	54215151	54215151
Washer, felt	54140421	54140421
Ring, 'O' oil seal	54214812	54214812
Nut, shaft	198800	198800
Washer, shakeproof	185085	185085
Armature	54214537	54217874
Retainer, bearing ring	227631	227631
Collar, drive end bearing	227532	227532
Washer, thrust, commutator end	164736	164736
Field coils set	227543	54211803
Terminal set, Lucar	54216878	54216878
Bolt, through fixing	228336	256009
Sundry parts set	54211894	54211894

ALTERNATORS

Part No.	23544F	23562A
Model	15AC	15ACR
Cover	54219540	54219322
Alternator control	—	37541
Rectifier	83062	83062
Brushbox assembly	54219477	54219309
Brush set	54218706	54219368
Stator	54218277	54218277
Rotor	54218284	54218284
Slip ring	54217372	54217372
Bracket, drive end	54219416	54219416
Bearing kit	54219310	54219310
Bolt, through fixing	54113722	54113722
Bracket, slip ring end	54219431	54219431
Bearing kit	54219312	54219312
Sundry parts set	54218702	54218702
Fan	—	*54217652
Pulley	—	*54218463

CONTROL UNIT

Part No.	37527A
Model	4TR

*Order separately





CONTROL BOXES

Part No.	Model	37290F RB106-2	37342H RB340	37344H RB340
Cover	...	391600		
Clip, cover fixing	...	334906		
Contact set, cutout	...	335767		
Contact set, regulator	...	226339		
Resistance	...	54380858		
Screw, adjusting	...	54380161		
Spring, screw adjusting	...	54380088		
Rivet, cover fixing	...	54150701	54150701	54150701
Resistance, swamp, 55 ohms	...	54380303	54380303	54380303
Resistance, points, 60 ohms	...	54380438	54380438	54380438
Grommet and ferrule, mounting	...	54380926	54380926	54380926

AMMETERS

Part No.	Model	36373B CZU34	36412A CZU60	36427A CZU60
Nut, terminal	...	166019	156620	—
Washer, terminal nut	...	185040	185040	—
Connector, Lucar, small	...	199275	—	199275
Connector, Lucar, large	...	199317	—	199317
Washer, fixing clamp	...	—	185026	—
Clamp, fixing	...	—	—	54360331

FUSE BOXES

Part No.	Model	37520A 8FJ	54038045 7FJ	54038057 7FJ
Fuse, 35 amp.	...	—	188218	188218
Cover	...	54939865	54380114	54380114
Screw, terminal	...	—	120560	—
Fuse, 35 amp.	...	—	188218	188218
Cover	...	54382845	54382845	54382845

RELAY - DAY AND NIGHT FLASHER

Part No.	Model	33248A 11RA
Cover	...	54382131

FLASHER UNITS

Part No.	Model	35011A 35020A FL5	35027 FL5	35048A 35049A 8FL
...

OVERDRIVE EQUIPMENT (LAYCOCK DE NORMANVILLE)

Overdrive Control Switches

Part No.	Model	34713D 34714D 90SA	35749A 35750A 90SA	35780A 35781A 90SA
Knob	...	54320614	—	—

Relay

Part No.	Model	33213E 6RA
...

Interrupter Switch

Part No.	Model	31849A SS10
...

Transmission Gear Solenoid

Part No.	Model	76515F/H 11S	76517F/H 11S	76522H/J 11S
...

AUTOMATIC TRANSMISSION (BORG WARNER)

Solenoid, Starting Motor

Part No.	Model	76772A 4ST
...



36373



226339



335767



36412
36427

Screw 54380161
Spring 54380088



54380858

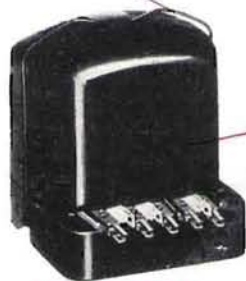


54380438



54380084

Clip
334906

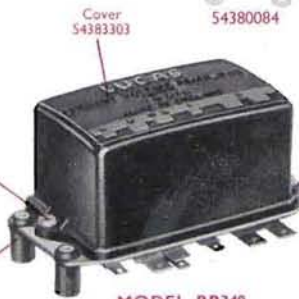


MODEL RB106-2

Cover
391600

Rivet
54150701

Grommet
and ferrule
54380926



MODEL RB340

Cover
54383303

Cover 54382131

Cover
54380114



54038033

Fuse
188218



33248

Cover
54382845

Fuse
188218



Cover
54939865



54038045
54038057



37520



54320614



35011
35020
35027



MODEL 90SA



35048
35049



76515
76517
76522



31849



33213



76772



**PETROL INJECTION EQUIPMENT
(Mk. II)**

**CONTROL AND METERING
DISTRIBUTOR ASSEMBLIES**

Part No.	54073025	54073029
Comprising:		
Control	73066A	73077A
Metering distributor	73059B	73059B

Control

Part No.	73066A	73077A
Screw assembly control	54733423	54733423
Spring, calibration, inner and outer	54733745	54734128
Diaphragm	54732970	54732970
Bearing, spherical	54733422	54733422
Screw, full load stroke	54730768	54730768
Screw, cam follower	54730836	54730836
Shaft and arm, pivot	54730767	54730767
Spring set, control arm	54734048	54733723
Spring, overfuel lever	54733368	54733368
Cam follower	54733377	54733377
Datum track	54730789	54730789
Linkage	54733398	54733398
Spring, cam follower	54733628	54732974
Seal, distributor control	54730788	54730788
Body	54730831	54730831
Chamber, depression	54730838	54730838
Sundry parts set	54733322	54733322

Metering Distributor

Part No.	73059B
'O' ring kit	54733424
Connection, outlet	54732911
Bolt, banjo	54730900
Banjo, firetree	54731886
Connection, inlet	54732892
Strainer	54732894
Rotor and sleeve	54730762
Screw cap	54732651
Screw, countersunk	54733381
Coupling, drive	54730757
Washer, outlet sealing	54730983
Washer, inlet sealing	54730984
Body	54730845

PUMP AND MOTOR ASSEMBLY

Part No.	54073012B
Comprising:	
Pump	73060A/B
Motor	73052A/D

Pump

Part No.	73060A/B
Strainer	54732894
Washer, sealing	54730983
Connection, outlet or inlet	54732893
Service kit	54703110

Motor

Part No.	73052A/D
Armature	54701307
Bracket, drive end	54701288
Brush plate	54701256
Bolt, through fixing	54112166
Service kit	54703110

The following parts are also serviced

Nozzle	73045A
Insulating block and 'O' ring	54733327
Strainer, relief valve	54732894
Filter	54073009
Filter element	54733180
Relief valve	73072A





DISTRIBUTORS



Part No.	41127A/B 25D4	41166A 25D6	41167A 25D6
Plate, clamping	54410620	421191	421191
Screw, clamping	415087	415087	415087
Cover, moulded	54417214	54417212	54417212
Brush and spring	418856	418856	418856
Rotor arm	400051	418726	418726
Contact set	423153	423153	423153
Bush, insulating, contact breaker lever	419950	419950	419950
Condenser	423871	423871	423871
Plate, contact breaker base	422318	422318	422318
Plate, contact breaker bearing	54412154	54412154	54412154
Terminal, bush and lead ...	54413549	54413549	54413549
Lead, earth	421088	421088	421088
Cam	491065	54413780	54411991
Springs set, auto-advance ...	54413970	54416705	54417091
Weight	54413073	54413073	54413073
Shaft and action plate ...	54410290	54410290	54410290
Nut, knurled, micrometer	54412157	54412157	54412157
Spring, ratchet, micrometer	54412158	54412158	54412158
Spring, return, micrometer	419086	419086	419086
Vacuum unit	54416810	54411985	54411985
Bushing, body bearing ...	421998	—	—
Clip, cover retaining ...	421824	54414490	54414490
Dog, driving	420620	420620	420620
Ring, 'O' oil seal	—	188639	188639
Sundry parts set	419644	419644	419644

Part No.	41168A 22D6	41191A 25D4	41202A/B 22D6
Plate, clamping	415256	54410620	415256
Screw, clamping	415087	415087	415087
Cover, moulded	54417212	54417214	54417212
Brush and spring	418856	418856	418856
Rotor arm	418726	400051	418726
Contact set	423153	423153	423153
Bush, insulating, contact breaker lever	419950	419950	419950
Condenser	423871	423871	423871
Plate, contact breaker base	422318	422318	422318
Plate, contact breaker bearing	54412154	54412154	54412154
Terminal, bush and lead ...	54413549	54413549	54413549
Lead, earth	421088	421088	421088
Cam	54414637	491069	54413780
Springs set, auto-advance ...	54418975	54419696	54420215
Weight	54413073	54413922	54413922
Shaft and action plate ...	54415784	54410290	54415784
Nut, knurled, micrometer	54412157	54412157	—
Spring, ratchet, micrometer	54412158	54412158	54412158
Spring, return, micrometer	419086	419086	—
Vacuum unit, advance ...	54418973	54411985	54415212
Vacuum unit, retard ...	—	—	54420219
Gear, tacho drive	54415471	—	54415471
Gasket, tacho gear cover ...	54415511	—	54415511
Bush, bearing, tacho shaft ...	54415772	—	54415772
Bushing, body bearing ...	—	421998	—
Clip, cover retaining ...	421824	421824	421824
Dog, driving	420620	420620	420620
Sundry parts set	419644	419644	419644



DISTRIBUTORS—continued

Part No. Model	41213A 25D4	41219B 22D6	41230A 25D4
Plate, clamping	54410620	54410620	54410620
Screw, clamping	415087	415087	415087
Cover, moulded	54417214	54417212	54417214
Brush and spring	418856	418856	418856
Rotor arm	400051	418726	400051
Contact set	423153	423153	423153
Bush, insulating, contact breaker lever	419950	419950	419950
Condenser	423871	423871	423871
Plate, contact breaker base	422318	422318	422318
Plate, contact breaker bearing	54412154	54412154	54412154
Terminal, bush and lead	54413549	54413549	54413549
Lead, earth	421088	421088	421088
Cam	491069	54413291	424421
Springs set, auto-advance	54420057	54413186	54414000
Weight	54413922	54413073	54413073
Shaft and action plate	54410290	54415784	54410290
Nut, knurled, micrometer	54412157	54412157	54412157
Spring, ratchet, micrometer	54412158	54412158	54412158
Spring, return, micrometer	419086	419086	419086
Adjuster, micrometer	—	54413770	—
Vacuum unit	54412170	—	54413516
Gear, tacho drive	—	54415471	—
Gasket, tacho gear cover	—	54415511	—
Bush, bearing, tacho shaft	—	54415772	—
Bushing, body bearing	421998	—	421998
Clip, cover retaining	421824	421824	421824
Dog, driving	420620	420620	420620
Ring, 'O' oil seal	—	188639	—
Sundry parts set	419644	419644	419644

Part No. Model	41231A 25D4	41236A 25D6	41273A 22D6
Plate, clamping	54410620	54410620	415256
Screw, clamping	415087	415087	415087
Cover, moulded	54417214	54417212	54417212
Brush and spring	418856	418856	418856
Rotor arm	400051	*54420518	418726
Contact set	423153	423153	423153
Bush, insulating, contact breaker lever	419950	419950	419950
Condenser	423871	423871	423871
Plate, contact breaker base	422318	422318	422318
Plate, contact breaker bearing	54412154	54412154	54412154
Terminal, bush and lead	54413549	54413549	54413549
Lead, earth	421088	421088	421088
Cam	423406	54413291	54411990
Springs set, auto-advance	54411454	54413186	54419279
Weight	54413073	54413073	54413073
Shaft and action plate	54410290	54410290	54415784
Nut, knurled, micrometer	54412157	54412157	54412157
Spring, ratchet, micrometer	54412158	54412158	54412158
Spring, return, micrometer	419086	419086	419086
Adjuster, micrometer	—	54413770	—
Vacuum unit	54414263	—	54416354
Gear, tacho drive	—	—	54415471
Gear, tacho gear cover	—	—	54415511
Bush, bearing, tacho shaft	—	—	54415772
Bushing, body bearing	421998	—	—
Clip, cover retaining	421824	54414490	421824
Dog, driving	420620	420620	420620
Ring, 'O' oil seal	—	188639	188639
Sundry parts set	419644	419644	419644

* Speed limiter

IGNITION COILS

Part No. Model	45207A LA12	45208A HA12
Part No. Model	45189B LA12	
Nut, moulded	408120	
Washer, cable end	185015	
Saddle	54411294	

CABLE SUNDRIES

Cable nipple, terminal end	900269
Connector tube, 2-way	900288
Connector tube, 4-way	850641
Connector tube, 6-way	850844
Eyelet, 3/16" (short—ring)	187009
Eyelet, 3/16" (flag)	187704
Eyelet, 3/16" (long—ring)	850405
Eyelet, 5/16" (ring)	900450
Eyelet, 1/4" (ring)	850406
Fuse, 25 amp.	188216
Fuse, 35 amp.	188218
Fuse holder	54190387
Connector, Lucar, 17.5 amp.	54942078
Connector, Lucar, 17.5 amp. (double)	54942747
Connector, 35 amp.	54942079
Sleeve, Lucar, 17.5 amp.	54190042
Sleeve, Lucar, 17.5 amp. (double)	54190119
Sleeve, Lucar, 35 amp.	54190043





54522683

4523245

187117



54522270

Screw
198898
Washer
161385

555704
556482

Sleeve
555910



554439

553738

Screw
198898
Washer
161385



54520073



Gasket (typical)



556442

Screw
186137

Light unit
54521872
54522231

Body
54522342

Screw
54520451
Retainer
54522798



54520271



MODEL F700

HEADLAMPS (F700 Models)

Part No. Model	58814D F700	58814E/F F700
Nut, rim fixing screw	187117	187117
Bracket, rim fixing	555704	555704
Plate, light unit retaining	54521913	54521913
Screw, unit rim fixing	186137	186137
Rim, unit seating	54521538	54521538
Light unit	*54521872	54522683
Spring, bulb retaining	—	556442
Adaptor	553738	553738
Sleeve, terminal	555910	—
Spring, unit seating rim fixing	54523245	54523245
Screw, trimmer	54520451	54520451
Retainer, trimmer screw	54522798	54522798
Body	54522342	54522342
Bulb...	—	410

Part No. Model	58815E/F F700	59103E F700
Rim or door	—	54520073
Nut, rim fixing screw	187117	—
Bracket, rim fixing	555704	—
Plate, light unit retaining	54521913	54521913
Screw, unit rim fixing	186137	186137
Rim, unit seating	54521538	54521538
Light unit	54522683	*54521872
Spring, bulb retaining	556442	—
Adaptor	553738	553738
Sleeve, terminal	—	555910
Gasket, body	—	54520919
Spring, unit seating rim fixing	54523245	54523245
Screw, trimmer	54520451	54520451
Retainer, trimmer screw	54522798	54522798
Body	54522342	—
Bulb...	411	—

Part No. Model	59104E F700	59167E F700
Rim or door	54520073	54520073
Plate, light unit retaining	54521913	54521913
Screw, unit rim fixing	186137	186137
Rim, unit seating	54521538	54521538
Light unit	54522683	54522683
Spring, bulb retaining	556442	556442
Adaptor	553738	553738
Sleeve, terminal	555910	555910
Gasket, body	54520919	54520919
Spring, unit seating rim fixing	54523245	54523245
Screw, trimmer	54520451	54520451
Retainer, trimmer screw	54522798	54522798
Bulb...	410	411

Part No. Model	59191B F700	59337D F700
Rim or door	—	54520073
Nut, rim fixing screw	187117	—
Bracket, rim fixing	555704	—
Plate, light unit retaining	54521913	54521913
Screw, unit rim fixing	186137	186137
Rim, unit seating	54521538	54521538
Light unit	*54522231	*54522231
Adaptor	553738	553738
Sleeve, terminal	—	555910
Gasket, body	—	54520919
Spring, unit seating rim fixing	54523245	54523245
Screw, trimmer	54520451	54520451
Retainer, trimmer screw	54522798	54522798
Body	54522342	—

Headlamp Rim and Adaptor Plates

Rim model	554439	54522270
Screw, rim fixing	198898	198898
Washer, screw retaining	161385	161385
Adaptor Plate model	—	54520271
Nut, rim fixing	—	187117
Bracket, rim fixing nut	—	556482

* All glass sealed beam light unit



HEADLAMPS (5 $\frac{3}{4}$ Models)

Part No.	58520H	58601H	58895D
Model	5 $\frac{3}{4}$	5 $\frac{3}{4}$	5 $\frac{3}{4}$
Rim, light unit retaining ..	54520356	54520356	54520356
Screw, unit rim fixing ...	186137	186137	186137
Light unit	556306	556306	—
Spring, bulb retaining ...	54522993	54522993	—
Adaptor	553738	553738	553738
Rim, unit seating assembly ...	54523538	54523538	54523538
Bush, rubber, fixed point pin ...	54520214	54520214	54520214
Pin, fixed point	54520213	54520213	54520213
Gasket, lamp seating ...	54520217	54520217	54520217
Sleeve, sealing	54520216	54520216	54520216
Body	54520207	54520207	54520207
Bulb	410	411	410

Part No.	58905D	58906D	58990D
Model	5 $\frac{3}{4}$	5 $\frac{3}{4}$	5 $\frac{3}{4}$
Rim, light unit retaining ..	54520356	54520356	54520356
Screw, unit rim fixing ...	186137	186137	186137
Light unit	—	—	*54521805
Adaptor	553738	553738	553738
Rim, unit seating assembly ...	54523537	54523537	54523537
Bush, rubber, fixed point pin ...	54520214	54520214	54520214
Pin, fixed point	54520213	54520213	54520213
Gasket, lamp seating ...	54520217	54520217	54520217
Sleeve, sealing	54520216	54520216	54520216
Body	54520207	54520207	54520207
Bulb	—	410	—

Part No.	58997D	59255D	59256D
Model	5 $\frac{3}{4}$	5 $\frac{3}{4}$	5 $\frac{3}{4}$
Rim, light unit retaining ...	54520356	54520356	54520356
Screw, unit rim fixing ...	186137	186137	186137
Light unit	*54521806	*54521806	—
Adaptor	553738	553738	553738
Rim, unit seating assembly ...	54523538	54523538	54523538
Bush, rubber, fixed point pin ...	54520214	54520214	54520214
Pin, fixed point	54520213	54520213	54520213
Gasket, lamp seating ...	54520217	54520217	54520217
Sleeve, sealing	54520216	54520216	54520216
Body	54520207	54520207	—

Part No.	59257D	59258D	59260D
Model	5 $\frac{3}{4}$	5 $\frac{3}{4}$	5 $\frac{3}{4}$
Rim, light unit retaining ...	54520356	54520356	54520356
Screw, unit rim fixing ...	186137	186137	186137
Light unit	556306	556306	—
Spring, bulb retaining ...	54522993	54522993	—
Adaptor	553738	553738	553738
Rim, unit seating assembly ...	54523538	54523538	54523538
Bush, rubber, fixed point pin ...	54520214	54520214	54520214
Pin, fixed point	54520213	54520213	54520213
Gasket, lamp seating ...	54520217	54520217	54520217
Sleeve, sealing	54520216	54520216	54520216
Bulb	411	410	410

Part No.	59340D	59639B	59644B	59678B	59986A	59988A	59989A	59991A	60044A	60045A
Model	5 $\frac{3}{4}$	5 $\frac{3}{4}$	5 $\frac{3}{4}$	5 $\frac{3}{4}$	5 $\frac{3}{4}$	5 $\frac{3}{4}$	5 $\frac{3}{4}$	5 $\frac{3}{4}$	5 $\frac{3}{4}$	5 $\frac{3}{4}$
Rim, light unit retaining ...	54520356	54520356	54520356	54520356	54520356	54520356	54520356	54520356	54520356	54520356
Screw, unit rim fixing ...	186137	186137	186137	186137	186137	186137	186137	186137	186137	186137
Light unit	556306	*54521334	—	*54522973	54524269	54524078	54524269	54524078	54524078	54524078
Spring, bulb retaining ...	54522993	—	—	—	54522993	54522993	54522993	54522993	54522993	54522993
Adaptor	553738	553738	553738	553738	553738	553738	553738	553738	553738	553738
Rim, unit seating assembly ...	54523538	54523537	54523538	54523537	54523537	54523538	54523537	54523538	54523538	54523538
Bush, rubber, fixed point pin ...	54520214	54520214	54520214	54520214	54520214	54520214	54520214	54520214	54520214	54520214
Pin, fixed point	54520213	54520213	54520213	54520213	54520213	54520213	54520213	54520213	54520213	54520213
Gasket, lamp seating ...	54520217	54520217	54520217	54520217	54520217	54520217	54520217	54520217	54520217	54520217
Sleeve, sealing	54520216	54520216	54520216	54520216	54520216	54520216	54520216	54520216	54520216	54520216
Body	54520207	54520207	54520207	54520207	54520207	54520207	54520207	54520207	54520207	54520207
Bulb	411	—	—	—	410	410	411	411	410	411

* All glass sealed beam unit





MODEL 760



MODEL 594



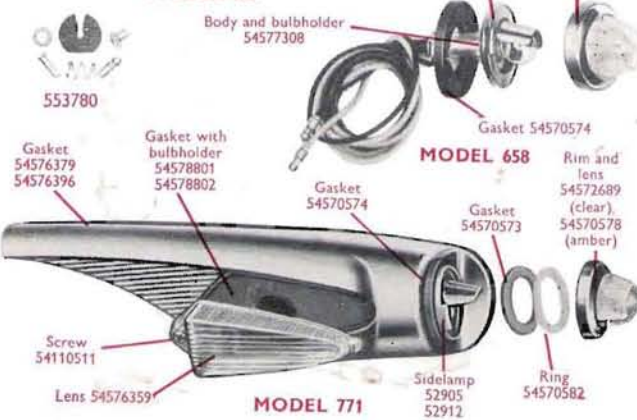
MODEL 659



MODEL 691



MODEL 488



MODEL 658

MODEL 771

FLASHER LAMPS

Part No. ... Model ...	54495A 760	54520A 760	
Lens ...	54576128	54578376	
Interior, bulb holder	552103	552103	
Sleeve, terminal ...	555910	555910	
Gasket, lamp seating	54578176	54578176	
Grommet, cable entry	576401	576401	
Bulb ...	382	382	
Part No. ... Model ...	52337B 594	52345B 594	
Body ...	576105	576105	
Rim ...	572734	572734	
Glass ...	576108	576983	
Bulb holder and plate	576986	576986	
Interior, bulb holder	552103	552103	
Sleeve, terminal ...	555910	555910	
Bulb ...	382	382	
Part No. ... Model ...	52609A 594	53600E 594	
Body ...	576105	576105	
Rim ...	572734	572734	
Glass ...	576108	54571112	
Bulb holder and plate	576986	576986	
Interior, bulb holder	573832	552103	
Sleeve, terminal ...	555910	555910	
Bulb ...	382	382	
Part No. ... Model ...	52807A 659	52902A 691	54139D 691
Rim or door ...	54571591	—	—
Screw, rim fixing	144921	—	—
Washer, screw retaining	161385	—	—
Lens ...	54577301	54572776	54572777
Gasket, lens seating	576288	54572200	54572200
Interior, bulb holder	573832	573832	54571872
Base ...	54577302	—	—
Grommet, cable entry	—	54572247	576401
Pad, lamp mounting	—	—	54574177
Sleeve, terminal ...	—	555910	555910
Gasket, lamp seating	—	54572755	—
Bulb ...	—	382	382

SIDE LAMPS

Part No. ... Model ...	52421B 488	52806A 658
Rim or door ...	572734	*54572689
Glass ...	572715	—
Ring, sliding	—	54570582
Gasket, lens seating	—	54570573
Body ...	575003	†54577308
Bulb holder	575008	—
Interior, bulb holder	555906	553780
Sleeve, terminal ...	555910	555910
Gasket, lamp seating	—	54570574
Bulb ...	989	—

SIDE AND REPEATER FLASHER LAMPS

Part No. ... Model ...	52903A 771	52904A 771	52909A 771	52910A 771
Side lamp ...	52905	52905	52912	52912
Rim and lens	54570578	54570578	54572689	54572689
Ring, sliding	54570582	54570582	54570582	54570582
Gasket, lens seating	54570573	54570573	54570573	54570573
Interior, bulb holder ...	553780	553780	553780	553780
Sleeve, terminal ...	—	—	555910	555910
Gasket, lamp seating ...	54570574	54570574	54570574	54570574
Bulb ...	989	989	989	989
Lens, repeater flasher	54576359	54576359	54576359	54576359
Screw, lens fixing	54110511	54110511	54110511	54110511
Gasket, lens seating, with bulb holder	54578801	54578801	54578802	54578802
Gasket, lamp seating	54576379	54576396	54576396	54576379
Bulb ...	501	501	501	501

* Rim and lens † Body with bulb holder



SIDE AND FLASHER LAMPS

Part No. ... Model ...	52690A 584	52607A 594	52493B 659
Rim or door ...	576285	572734	54571591
Screw, rim fixing ...	144921	—	144921
Washer, screw retaining ...	161385	—	161385
Lens or glass ...	576291	576983	54571328
Gasket, lens seating ...	576288	—	576288
Lens, flasher ...	576286	—	—
Bulb holder and plate ...	—	576993	—
Interior, bulb holder, side ...	553780	*573828	*573828
Interior, bulb holder, flasher ...	573832	—	—
Sleeve, terminal ...	—	555910	—
Grommet, cable entry, side ...	574049	—	*573825
Grommet, cable entry, flasher ...	54575892	—	—
Body or base ...	—	576105	—
Bulb, side ...	989	*380	*380
Bulb, flasher ...	382	—	—

Part No. ... Model ...	52866A 677	52876A 677	52973A 677
Rim or door ...	54572947	54572947	54572947
Lens, side lamp ...	54573659	54571995	54579153
Lens, flasher ...	54571994	54572946	54571994
Gasket, lens seating ...	54571996	54571996	54571996
Interior, bulb holder, side ...	553780	553780	553780
Interior, bulb holder, flasher ...	573832	573832	573832
Grommet, cable entry, side ...	54575950	54575950	54575950
Grommet, cable entry, flasher ...	54575892	54575892	54575892
Gasket, lamp seating ...	54571996	54571996	54571996
Bulb, side ...	989	989	989
Bulb, flasher ...	382	382	382

Part No. ... Model ...	52659B 742	52660B 742
Lens, side ...	54575304	54575306
Lens, flasher ...	54575303	54575305
Gasket, lens seating ...	54574229	54574229
Interior, bulb holder, side ...	553780	553780
Interior, bulb holder, flasher ...	573832	573832
Grommet, cable entry, side ...	54575950	54575950
Grommet, cable entry, flasher ...	54575892	54575892
Body ...	54574281	54574282
Bulb, side ...	989	989
Bulb, flasher ...	382	382

Part No. ... Model ...	52702A 742	52703A 742
Lens, side ...	54575304	54575306
Lens, flasher ...	54575661	54575662
Gasket, lens seating ...	54574229	54574229
Interior, bulb holder, side ...	553780	553780
Interior, bulb holder, flasher ...	573832	573832
Grommet, cable entry, side ...	54575950	54575950
Grommet, cable entry, flasher ...	54575892	54575892
Body ...	54574281	54574282
Bulb, side ...	989	989
Bulb, flasher ...	382	382

Part No. ... Model ...	52762F 776	52763A/F 776	52779F 776	52780A/F 776
Lens, side lamp ...	54576138	54576138	54576815	54576815
Lens, flasher ...	54576203	54576205	54576818	54576824
Screw, lens fixing ...	54110511	54110511	54110511	54110511
Interior, bulb holder, side ...	553780	553780	553780	553780
Interior, bulb holder, flasher ...	573832	573832	573832	573832
Grommet, cable entry, side ...	54575950	54575950	54575950	54575950
Grommet, cable entry, flasher ...	54575892	54575892	54575892	54575892
Gasket, lamp seating ...	54576141	54576141	54576141	54576141
Bulb, side ...	989	989	989	989
Bulb, flasher ...	382	382	382	382

* Side and flasher



573828 (D.C.)
573832 (S.C.)



Gasket
54579395
54579399

573828 (D.C.)
573832 (S.C.)

Lens assembly
54579196 (clear/amber)
54579197 (clear/amber)
54579198 (clear/amber)
54579199 (clear/amber)
54579953 (clear)
54579954 (clear)

Gasket
54574056

Screw 144921
Washer 161385

MODEL 827

552101 (D.C.)
552103 (S.C.)

Sleeve
555910

Clip
54570331

Bulbholder
555386

MODEL 759

Lens assembly
54576288
54576289

Lens assembly
54576196
54576661



Bulbholder
555384

MODEL 775

Gasket
54572570

Lens assembly
54578033
54578034

Grommet
54575892

553780

Gasket
54572567

Grommet
54575644

MODEL 799

Gasket
54574158

Gasket
54574159

Screw 54110131



Sleeve
555910

Lens
54574181

MODEL 672

SIDE AND FLASHER LAMPS—continued

Part No. ... Model ...	52943A 827	52944A/B 827	52945A 827
Lens assembly ...	54579196	54579197	54579198
Interior, bulb holder, flasher ...	573832	573832	*573828
Interior, bulb holder, side ...	553780	553780	—
Sleeve, terminal ...	555910	555910	555910
Gasket, lamp seating ...	54579395	54579399	54579395
Bulb, flasher ...	382	382	*380
Bulb, side ...	989	989	—

Part No. ... Model ...	52946A 827	52981A 827	52982A 827
Lens assembly ...	54579199	54579954	54579953
Interior, bulb holder, flasher ...	*573828	*573828	*573828
Sleeve, terminal ...	555910	555910	555910
Gasket, lamp seating ...	54579399	54579395	54579399
Bulb flasher ...	*380	*380	*380

STOP TAIL AND FLASHER LAMPS

Part No. ... Model ...	54269B 759	54289B 759
Lens ...	54576289	54576288
Screw, lens fixing ...	144921	144921
Washer, screw retaining ...	161385	161385
Clip, lens joint ...	54570331	54570331
Gasket, lens seating ...	54574056	54574056
Interior, bulb holder, flasher ...	573832	573832
Interior, bulb holder, stop tail ...	573828	573828
Sleeve, terminal ...	555910	555910
Bulb, flasher ...	382	382
Bulb, stop tail ...	380	380

STOP TAIL, FLASHER AND REFLEX LAMPS

Part No. ... Model ...	54336D 775	54337D 775
Lens assembly ...	54576196	54576661
Washer, lens fixing ...	188330	188330
Nut, lens fixing ...	54131266	54131266
Bulb holder, flasher ...	555386	555386
Interior, bulb holder, flasher ...	552103	552103
Bulb holder, stop tail ...	555384	555384
Interior, bulb holder, stop tail ...	573828	573828
Gasket, lamp seating ...	†552101	†552101
Bulb, flasher ...	54576195	54576195
Bulb, stop tail ...	382	382
	380	380

Part No. ... Model ...	54547A 799	54548A 799
Lens assembly ...	54578033	54578034
Gasket, lens seating ...	54572570	54572570
Interior, bulb holder, flasher ...	573832	573832
Interior, bulb holder, stop tail ...	573828	573828
Gasket, lamp seating ...	54572567	54572567
Grommet, cable entry, flasher ...	54575892	54575892
Grommet, cable entry, stop tail ...	54575644	54575644
Bulb, flasher ...	382	382
Bulb, stop tail ...	380	380

STOP TAIL AND REFLEX LAMP

Part No. ... Model ...	54138A 672
Lens ...	54574181
Screw, lens fixing ...	54110131
Gasket, lens seating ...	54574159
Sleeve, terminal ...	555910
Gasket, lamp seating ...	54574158
Bulb ...	380

* Side and flasher † For use with replacement bulb holder 555384



STOP TAIL, FLASHER, REFLEX AND REVERSING LAMPS

Part No. Model	54189H 741	54254D 741
Lens, flasher	54574444	54575800
Lens, stop tail	54574792	54574792
Lens, reversing	54574099	54574099
Gasket, lens seating	54574457	54574457
Bulb holder, flasher and reversing	54571750	54571750
Interior, bulb holder, flasher and reversing	573832	573832
Bulb holder, stop tail	555925	555925
Interior, bulb holder, stop tail	573828	573828
Sleeve, terminal	555910	555910
Gasket, lamp seating	54574100	54574100
Connector, cable	850641	850641
Bulb, flasher and reversing	382	382
Bulb, stop tail	380	380

STOP TAIL, FLASHER, REFLEX, REVERSING AND SIDE MARKER LAMPS

Part No. Model	54609A/B 832	54610A/B 832	54657A 832
Lens assembly, stop tail	54579514	54579471	54579514
Lens assembly, flasher	54579660	54579659	54579660
Lens assembly, reversing	54579836	54579835	54579836
Lens assembly, side marker	54579603	54579601	54580156
Gasket, lens seating	54579676	54579676	54579676
Bulb holder, stop tail	54577579	54577579	54577579
Bulb holder, flasher and reversing	54577578	54577578	54577578
Bulb holder, side marker	54523326	54523326	—
Gasket, lamp seating, large	54579678	54579678	54579678
Gasket, lamp seating, small	54579679	54579679	54579679
Bulb, stop tail	380	380	380
Bulb, flasher and reversing	382	382	382
Bulb, side marker	989	989	—

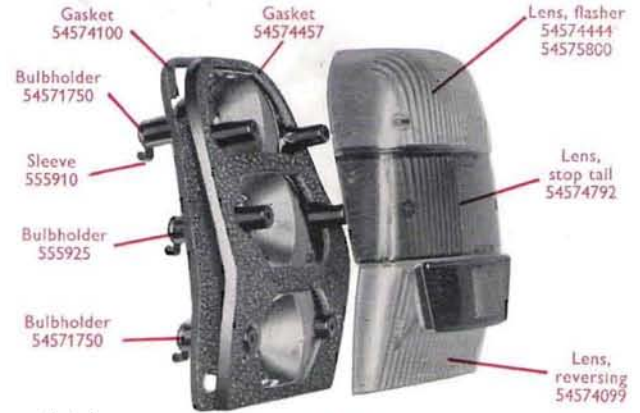
Part No. Model	54658A 832	54737A 832	54738A 832
Lens assembly, stop tail	54579471	54579514	54579471
Lens assembly, flasher	54579659	54579660	54579659
Lens assembly, reversing	54579835	54580239	54580238
Lens assembly, side marker	54580154	54580156	54580154
Gasket, lens seating	54579676	54579676	54579676
Bulb holder, stop tail	54577579	54577579	54577579
Bulb holder, flasher and reversing	54577578	54577578	54577578
Gasket, lamp seating, large	54579678	54579678	54579678
Gasket, lamp seating, small	54579679	54579679	54579679
Bulb, stop tail	380	380	380
Bulb, flasher and reversing	382	382	382

STOP TAIL, NUMBER PLATE AND REFLEX LAMP

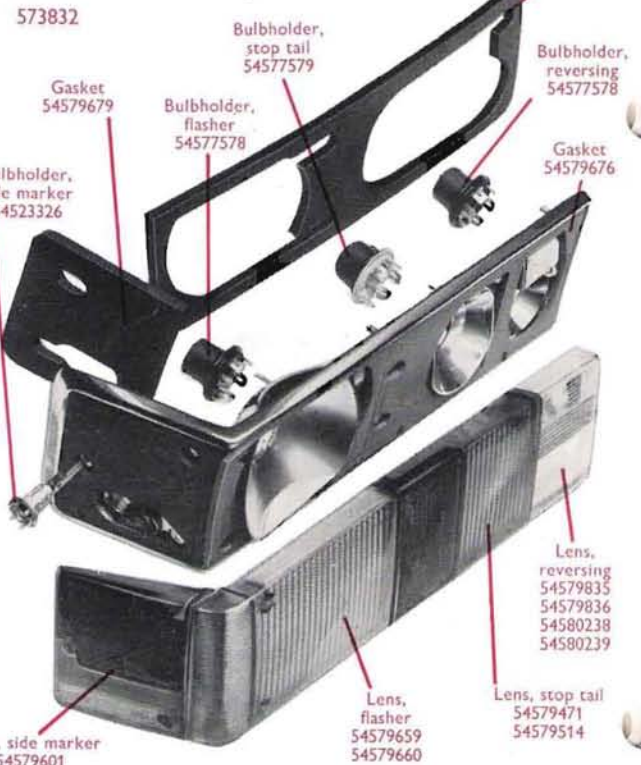
Part No. Model	54466A 761
Lens assembly	54576369
Sleeve, terminal	555910
Interior, bulb holder	573828
Body, waterproof	54577239
Bulb	380

MARKER — REAR SIDE LAMP

Part No. Model	54538B 734
Lens	54578654
Screw, lens fixing	54110511
Gasket, lens seating	54573691
Bulb holder	54578837
Gasket, lamp seating	54574781
Bulb	504



MODEL 741



MODEL 832



MODEL 761



MODEL 734



MODEL 826

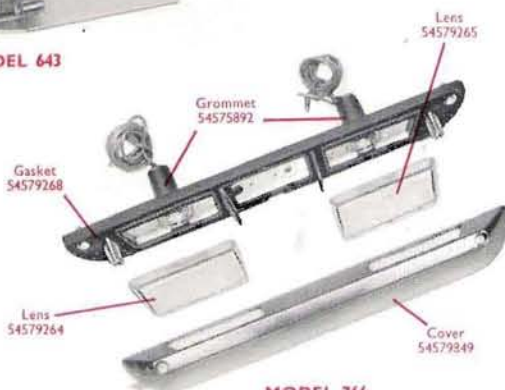


MODEL 550

MODELS 467 and 467-2



MODEL 643



MODEL 766



MODEL 743



MODEL 469

MODEL 594

SIDE MARKER AND REFLEX LAMPS

Part No.	52941 A	52942 A
Model	826	826
Lens assembly	54579800	54579801
Interior, bulb holder	553780	553780
Sleeve, terminal	555910	555910
Gasket, lamp seating	54579233	54579233
Bulb... ..	989	989

NUMBER PLATE LAMPS

Part No.	53093 K	53836 F
Model	467-2	467
Cover	572603	572603
Window	572596	54570354
Gasket, window seating	54571498	54571498
Base	572619	—
Sundry parts set	572588	572588
Bulb... ..	989	989

Part No.	53945 A	54364 B	54549 A
Model	550	550	550
Rim or door	526495	54571413	54571413
Glass	573615	573615	573615
Interior, bulb holder	553780	—	573832
Body	526506	54575275	54572010
Bulb	989	501	207

Part No.	53786 B	54632 B
Model	643	766
Cover	—	54579849
Lens, right hand	—	54579265
Lens, left hand	—	54579264
Interior, bulb holder	—	573832
Sleeve, terminal	555910	—
Grommet, cable entry	—	54575892
Gasket, lamp seating	—	54579268
Bulb... ..	989	207

NUMBER PLATE AND BOOT ILLUMINATION LAMP

Part No.	54191 A
Model	743
Rim or door	54573971
Gasket, rim and lamp seating	54573970
Lens, number plate illumination	54573969
Lens, boot illumination	54574869
Interior, bulb holder	553780
Sleeve, terminal	555910
Grommet, cable entry	199002
Bulb... ..	989

NUMBER PLATE AND REVERSING LAMP

Part No.	53161 D
Model	469
Cover assembly	572347
Screw, cover fixing	113531
Washer, screw retaining	161385
Lens, reversing light	572328
Bead, cover joint	572326
Sleeve, terminal	188818
Bung, rubber	572685
Nut, lamp fixing	177014
Grommet, cable	199001
Bulb, reversing	382
Bulb, number plate	989

REVERSING LAMPS

Part No.	52345 B	52610 A
Model	594	594
Rim	572734	572734
Glass	576983	576983
Body	576105	576105
Bulb holder and plate	576986	576986
Interior, bulb holder	552103	573832
Sleeve, terminal	555910	555910
Bulb... ..	382	382



REFLEX REFLECTORS

Part No.	57079A/B	57111A	57171A
Model	RER14	RER24	57172A RER22
Reflex reflector	575189	—	—

WARNING LIGHTS

Part No.	54360552	54362727
Model	WLI3	WLI3
Shade	305569	—
Window	319217	—

WARNING LIGHT CLUSTER

Part No.	38724A/B
Model	6WL
Printed circuit assembly	54362266
Screw, base fixing	54120019
Washer, base fixing	131023
Bulb	280

PANEL AND WARNING LIGHT BULB HOLDERS

Part No.	Bulb	Part No.	Bulb
319408	987	54944812	987
554734	987	54945043	281
863511	987		

PLUG AND SOCKET

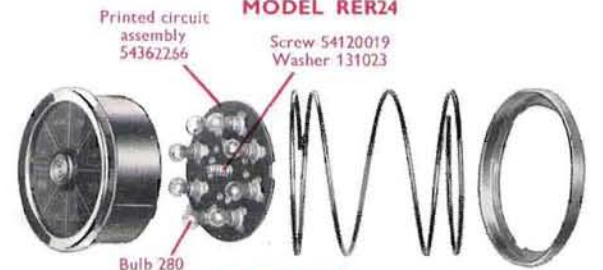
Part No.	39521A
Plug	304919

SCREENJETS

Part No.	54071460	54071621
Model	5SJ	5SJ
Motor and pump	78454	78467
Motor	54700489	54700489
Brush set	54711077	54711077
Armature	54700377	54700377
Cover and pump	54700286	54700286
Jar	54713810	—
Cap, filler	54713627	—
Bracket and strap	54713814	—
Strip, foam	54717998	—
Jar and bracket	—	54704441

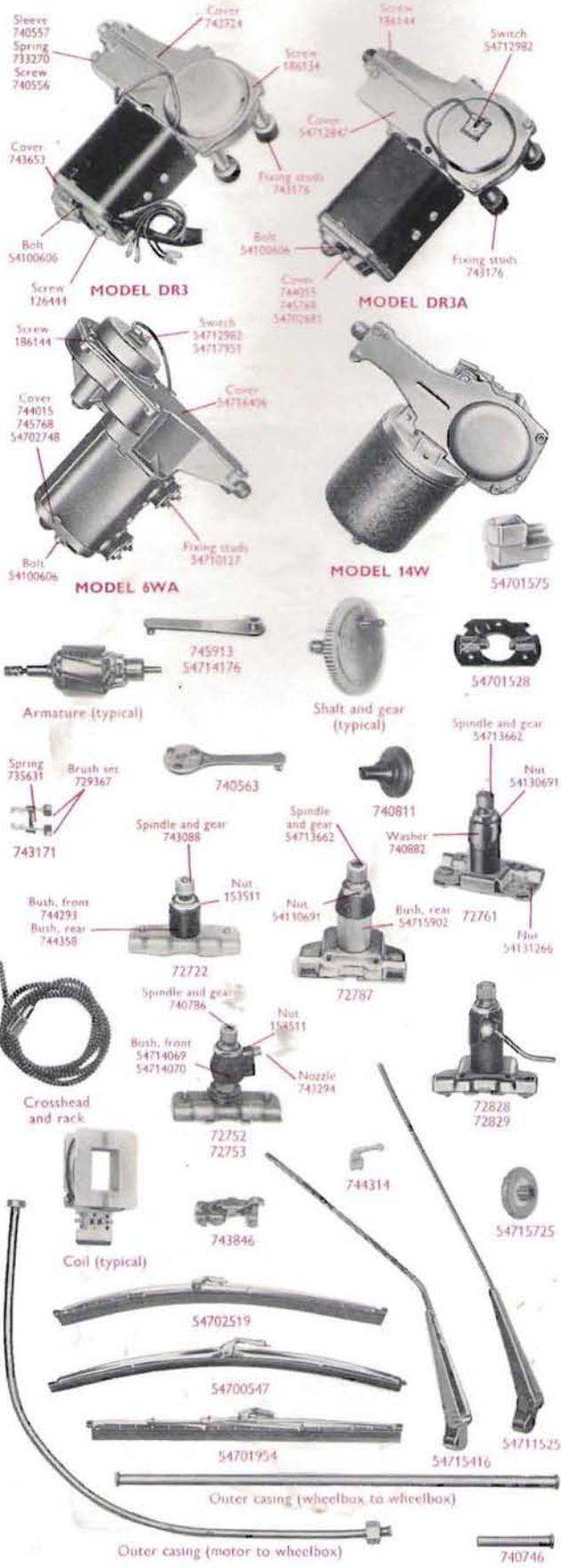
BULBS (12 volt)

Bulb No.	Watts	Contact	Description
207	6	Single	Coil, filament
280	1.5	Single	Supported coil, sub-miniature screw cap
281	2	Single	Miniature bayonet cap, coil filament
380	21/6	Double	Transverse, offset pin
382	21	Single	Transverse
410	45/40	3 lug	Duplo 'D', asymmetric
411	45/40	3 lug	Duplo 'D', asymmetric, cadmium yellow
501	5	—	Capless, bow filament
504	2.2	—	Capless, bow filament
987	2.2	Single	Coil, miniature screw cap
989	6	Single	Coil, miniature cap





WINDSHIELD WIPERS



Motors

Part No. Model	75446A/D DR3A	75450A/D DR3A	75568A DR3A	75584A 6WA
Bolt, fixing	54100606	54100606	54100606	54100606
Cover and bearing	745768	745768	744015	745768
Screw, earth lead	—	—	126464	—
Connector, Lucar, earth	—	—	—	199275
Brushgear	743171	743171	743171	743171
Brush set	729367	729367	729367	729367
Spring, brush	735631	735631	735631	735631
Armature	743929	743929	743929	54712768
Coil, field	54712958	54712958	54713957	54717435
Studs, fixing set	743176	743176	743176	54710127
Cover, gearbox	54712847	54712847	54712847	54716406
Screw, cover fixing	—	—	—	186144
Switch, parking	54712982	54712982	54712982	54712982
Rod, connecting	745913	745913	745913	54714176
Shaft and gear	54710866	54712920	54714897	54715730
Pinion and gear	—	—	—	54715725
Spring, contact switch	744314	744314	744314	744314
Sundry parts set	740899	740899	740899	740899

Part No. Model	75591A/E 6WA	75628A DR3	75706A 6WA	75714A 75715A DR3A
Bolt, fixing	54100606	54100606	54100606	54100606
Cover and bearing	744015	743653	54702748	54702681
Screw, earth lead	126444	126444	54114306	—
Brushgear	743171	743171	743171	743171
Brush set	729367	729367	729367	729367
Spring, brush	735631	735631	735631	735631
Armature	54712768	745985	54719859	743929
Coil, field	54713957	54713957	54713957	54713957
Studs, fixing set	54710127	743176	54710127	743176
Cover, gearbox	54716406	743924	54716406	54712847
Screw, cover fixing	186144	186134	186144	—
Switch, parking	54712982	743846	54717951	54712982
Sleeve, adjusting	740557	740557	—	—
Spring, screw adjusting	733270	733270	—	—
Screw, adjusting	54710163	740556	54710163	—
Rod, connecting	54714176	740563	54714176	745913
Shaft and gear	54715731	744914	54715731	54710866
Pinion and gear	54715725	—	54715725	*54712920
Screw, clamp fixing plate	—	—	186144	—
Spring, contact switch	744314	—	744314	744314
Sundry parts set	740899	740899	740899	740899

Part No. Model	75652A/B 14W	75665A 14W
Armature	54702572	54702572
Brushgear assembly	54701528	54701528
Switch, parking	54701575	54701575
Gear assembly	54702582	54702597

Wheelboxes

Part No.	72722A	72752B 72753B	72761B	72787A
Spindle and gear	743088	740786	54713662	54713662
Tube, rubber, spindle	740711	740711	—	—
Nut, wheelbox fixing	153511	153511	54130691	54130691
Bush, front	744293	54714069	—	—
—	—	54714070	—	—
Nozzle	—	743294	—	—
Washer	—	—	740882	—
Bush, rear	744358	—	—	54715902
Nut or screw, cover fixing	126444	110714	54131266	54131266

Arms

Part No.	Length	Finish	†Crank	Illustration
54701986	10 1/2"	Satin	10° R.H.	As 54711525
54703716	10 1/2"	Low reflectivity	10° L.H.	As 54711525
54703741	11 1/2"	Low reflectivity	40° L.H.	As 54715416
54703556	10 1/2"	Low reflectivity	20° R.H.	As 54711525
54710955	12"	Low reflectivity	40° L.H.	As 54715416
54711525	10 1/2"	Chrome	10° R.H.	As shown
54711526	10 1/2"	Chrome	10° L.H.	As 54711525
54711527	10 1/2"	Satin	10° L.H.	As 54711525
54711536	11 1/2"	Chrome	10° R.H.	As 54711525
54712026	11"	Bright	10° R.H.	As 54711525
54712042	11"	Bright	10° L.H.	As 54711525
54715416	12"	Bright	40° R.H.	As shown
54715792	11 1/2"	Low reflectivity	10° L.H.	As 54711525
54715801	10 3/4"	Bright	20° R.H.	As 54711525
54716246	14"	Bright	Straight	As 54711525
54717902	14"	Bright	10° R.H.	As 54711525
54717903	14"	Bright	10° L.H.	As 54711525

Blades

Part No.	Length	Finish	Rubber assembly	Illustration
54700547	14"	Bright	54700758	As shown
54701954	10"	Low reflectivity	54712463	As shown
54702519	12"	Satin	54711781	As shown
54703075	11"	Satin	54711780	As 54701954
54703740	11"	Low reflectivity	—	As 54701954
54711281	11"	Chrome	54711743	As 54702519
54711282	11"	Chrome	54711780	As 54701954
54711613	10"	Chrome	54712463	As 54701954

* On 75715A only † On 72753B only
‡ Left hand (L.H.) and right hand (R.H.) crank is as viewed from driving seat



SWITCHES

Direction Indicator

Part No.	35556A
	35676A
Model	35774A
	125SA
Spring, pawl centring	348323

SWITCHES

(Serviced by complete unit only)

Part No.	Model	Application	Part No.	Model	Application
31419A	PS7	Panel: wiper	35674A	102SA	Lighting
31849A	SS10	Reversing light	35675A	102SA	Lighting
31873J	47SA	Ignition/Starting	35734A	107SA	Lighting
31952D	PPG1	Lighting, master and panel	35735A	107SA	Lighting
34316A	PS7	Wiper	35743A	107SA	Wiper
34460A	SS10	Reversing lamp	35775A	71SA	Lighting
34477A	58SA	Master lighting: heater	35776A	71SA	Lighting
34536E	103SA	Dipper	35777A	71SA	Lighting
34555D	65SA	Horn isolating: heater	35778B	102SA	Lighting
34623A	PS7	Interior lamp	35779B	102SA	Lighting
34678A	120SA	Panel	35782A/B	102SA	Lighting
34741A	107SA	Lighting	35783A/B	102SA	Lighting
34889A	108SA	Heater	35794A	45SA	Wiper
35553E	102SA	Lighting	35836A	107SA	Lighting
35554E	102SA	Lighting	35856A	47SA	Ignition/Starting
35559A	108SA	Master lighting	35857A	107SA	Hazard warning
35560A	57SA	Heater	35859A	102SA	Lighting
35561A	108SA	Wiper	35866A	102SA	Lighting
35562A	65SA	Interior light	35867A	102SA	Lighting
*35604A	92SA	Direction indicator	35902A	71SA	Lighting
35624A/B	139SA	Handbrake	35941A	107SA	Heater
35637A	142SA	Wiper	39171A	152SA	Hazard warning
35660A	57SA	Heater	*39200A	57SA	Wiper
35661A	65SA	Interior light: wiper	39241A	108SA	Heater
35668A	57SA	Wiper	76464H	25T	Solenoid, starting motor
35672A	57SA	Master lighting	76766B	45T	Solenoid, starting motor
			76772B	45T	Solenoid, starting motor
			78391A	3R	Panel light
			78428A	3R	Panel light
			78449A	5R	Panel light
			54321944	15SA	Screenjet

SWITCH KNOBS

Part No.	Colour	Marking	Illustration
54323364	Black	Rheostat symbol in white	As shown
54324733	Black	Washer symbol ..	As shown
54324902	Black	Panel light symbol ..	As 54334481
54324904	Black	Roof lamp symbol ..	As 54334481
54326157	Black	Air distribution symbol	As 54326158
54326158	Black	Heater/Blower symbol	As shown
54326212	Black	Panel symbol—grooved	As shown
54326213	Black	Heater/Blower symbol	As 54326158
54326673	Black	Wiper/Washer symbol	As 54326158
54334481	Black	Panel symbol ..	As shown
54334501	Black	Wiper symbol ..	As 54334481
54334502	Black	Lights symbol ..	As 54334481
54334503	Black	Heater symbol ..	As 54334481
54335558	Black	Air distribution symbol	As 54334481
54336440	Black	Lights symbol ..	As 54334481

* Serviced by Vehicle Manufacturer





RECOMMENDED ACCESSORIES

**Foglamps
(Bracket Fixing)**

(Suitable for 'Herald', '1300', '2000', 'Vitesse', †'Spitfire 4' and †'TRSP1')

Part No. ...	54052440
Model ...	FT6
Rim or door ...	54522255
Light unit ...	*54522163
Switch, 65SA ...	31991
Part No. ...	54052824
Model ...	FT8
Rim or door ...	54523771
Light unit ...	54523846
Bulb ...	453
Cover, lamp ...	54524153
Switch, 65SA ...	31991
Part No. ...	54052792
Model ...	FT9
Rim or door ...	54523832
Light unit ...	*54523833
Cover, lamp ...	54524051
Switch, 65SA ...	31991

**Spot Lamps
(Bracket Fixing)**

(Suitable for 'Herald', '1300', '2000', 'Vitesse', †'Spitfire 4' and †'TRSP1')

Part No. ...	54052441
Model ...	LR6
Rim or door ...	54522255
Light unit ...	*54522164
Switch, 65SA ...	31991
Part No. ...	54052825
Model ...	LR8
Rim or door ...	54523771
Light unit ...	54523855
Bulb ...	453
Cover, lamp ...	54524153
Switch, 65SA ...	31991
Part No. ...	54052793
Model ...	LR9
Rim or door ...	54523832
Light unit ...	*54523834
Cover, lamp ...	54524051
Switch, 65SA ...	31991

Auxiliary Lamp Brackets

(Suitable for 'Herald 1200')

Part No. ...	54052228
Model ...	14FB

(Suitable for '2000' and 2.5 P.I.)

Part No. ...	54052548
Model ...	31FB

(Suitable for '1300', '2000', †'Spitfire 4', †'GT6' and †'TRSP1'—pendant mounting)

Part No. ...	60084009
Model ...	38FB

(Suitable for 'Herald 13/60' and 'Vitesse Mk. II')

Part No. ...	60084010
Model ...	39FB

(Suitable for 'Herald 1200', 'Herald 13/60' and 'Vitesse'—pendant mounting)

Part No. ...	60840101
Model ...	44FB

* All glass sealed beam † Use only FT8 and LR8 models





RECOMMENDED ACCESSORIES—cont'd.

Fog and Spot Lamps
(Back Fixing)

(Suitable for 'Herald 1200', '1300', 'Vitesse' and 'GT6')

Part No. ... Model ...	54052794 WFT9	54052795 WLR9
Rim or door	54523832	54523832
Light unit	*54523833	*54523834
Cover, lamp	54524051	54524051
Switch, 65SA	31991	31991

Part No. ... Model ...	54052659 WFT6	54052660 WLR6
Rim or door	54577471	54577471
Light unit	*54522163	*54522164
Switch, 65SA	31991	31991

Reversing Lamps

Part No. ... Model ...	54396 785	54057028 661	54057125 494
Bulb	503	382	382
Gasket	—	54573038	—
Switch, 56SA	—	34330	34330
Bulb	—	281	281

Parking Lamp

Part No. ... Model ...	56106 778
Bulb	501

Automatic Parking Lamp Sets

Part No. ... Model ...	54006073 Set No. 1	†54006095 Set No. 2
Parking lamp only	56106	—
Bulb	501	—
Relay	33249	33249
Photo-cell	34576	34576
Switch, 65SA	31991	31991

Fog Rear Guard Lamp

Part No. ... Model ...	54057282 494
Bulb	382
Switch, 56SA	34330
Bulb	281

Flasher Repeater Lamp Set

Part No. ... Model ...	54057229 734
Bulb	501

Dip Right Lens Converter

Part No. ... Model ...	54052552 F700	54052609 5‡
---------------------------	------------------	----------------

* All glass sealed beam † For use with existing parking lamp ‡



MODEL WFT9
"Silver Sabre"

54524051

MODEL WLR9
"Silver Lance"



MODEL WFT6
"Pathfinder"

MODEL WLR6
"Projector"



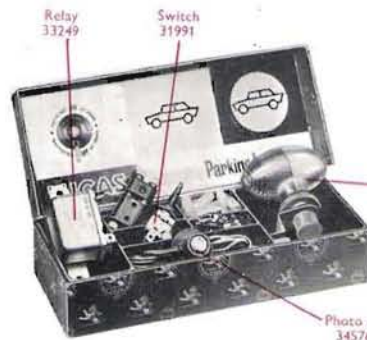
MODEL 65SA



MODEL 494
(54057125)



MODEL 661



MODEL 56SA



MODEL 785

Set No. 1. 54006073
Set No. 2. 54006095 (less lamp)



MODEL 778



MODEL 494
(54057282)



MODEL 734



54052609



54052552



Motor, pump
bracket and
container
54071313



MODEL 5SJ



31513



CRYSTAL CLEAR
SCREENJET
ADDITIVE



54036025



54036020

Sucker
781833



MODEL WH2



54036019



54036013

Ammeter
36273



MODEL 608



MODEL
406



MODEL
ST350



BATTERY FILLER



MODEL S45



MODEL AL127

RECOMMENDED ACCESSORIES—cont'd.

Screenjet

(Suitable for 'Herald 1200', 'Herald 13/60', '1300', 'Vitesse' and 'Spitfire 4')

Part No.	54071432
Model	5SJ
Motor, pump, bracket and container	54071313
Accessory kit	54006266
Switch, 15SA	31513

'Crystal Clear' Screenjet Additive

(Suitable for all screenwashers)

Defroster

(Not suitable for soft-top models)

Part No.	78005
Model	WH2
Sucker	781833

Switch Panels

Part No. (one hole)	54036025
Part No. (two hole)	54036020
Part No. (four hole)	54036019

Ammeter Kit

(Suitable for 'Herald 1200', 'Herald 13/60', '1300', 'Vitesse' and 'Spitfire 4')

Part No.	54036013
Ammeter, CZU60 only	36273
Bulb	987

Anti-dazzle Mirror

(Suitable for '1300' and 'Spitfire 4')

Part No.	62563
Model	608

Wing Mirrors

Part No. (offside)	59061047
Part No. (nearside)	59061049
Model	406

Battery Master Switch

Part No. (positive earth)	76602
Model	ST350

Master Switch

Part No.	34267
Model	S45

Battery Filler (Plastic)

Part No.	54283152
----------	-----	-----	-----	-----	-----	----------

Stop Lights Indicator

(Not suitable for 'TRSP1')

Part No.	62057024
Model	AL127

JOSEPH LUCAS (SALES & SERVICE) LTD · BIRMINGHAM 18 · ENGLAND

Compiled by Service Records and Publications Department, Joseph Lucas (Sales and Service) Ltd., Great Hampton Street, Birmingham 18

Printed in England

© Joseph Lucas (Sales & Service) Ltd.

R/369/A